



# ZF1202-ND4-F\_

ONE-PIECE COMBINATION BACK-TO-BACK FOOT/FACEPLATE  
EZCARRY® VERTICAL HIGH PERFORMANCE  
SIPHON JET NO-HUB WATER CLOSET CARRIER SYSTEM

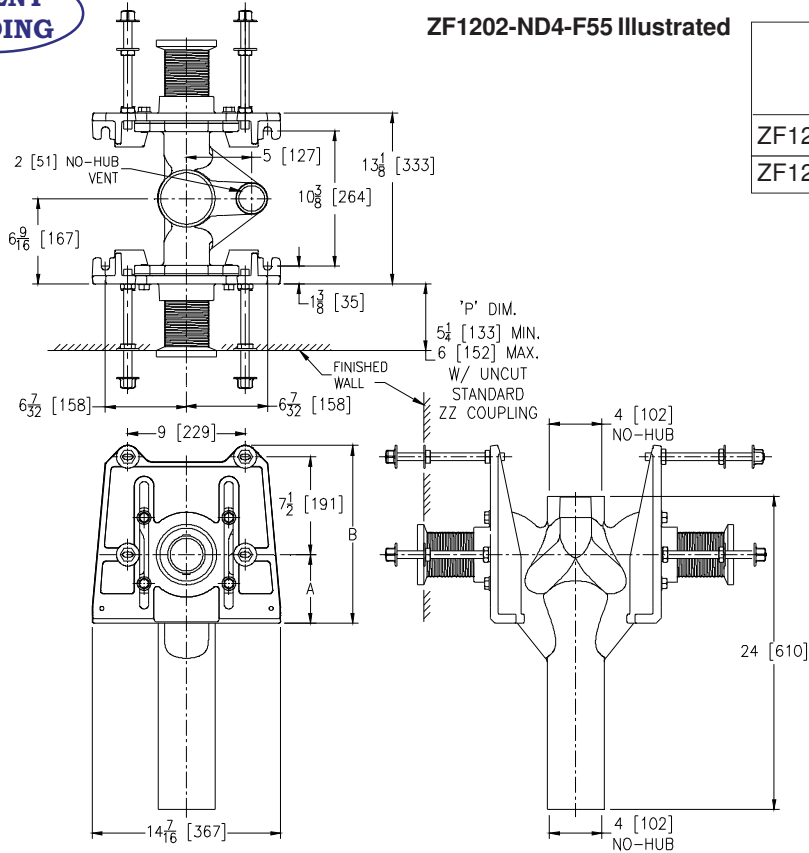
SPECIFICATION SHEET

TAG \_\_\_\_\_

**PATENT  
PENDING**

Dimensional Data (inches and [mm]) are Subject to Manufacturing Tolerances and Change Without Notice

**ZF1202-ND4-F55 Illustrated**



Product Number	Approx. Wt. lbs [kg]	Dimensions in Inches [mm]	
		A	B
ZF1202-ND4-F55	107 [49]	5-1/2 [140]	13-7/8 [352]
ZF1202-ND4-F75	115 [52]	7-1/2 [191]	15-7/8 [403]

**Note:**

1. Cut ZZ Coupling, Min. 'P' Dim. Obtainable = 2 [51]  
Cut EZ-Set™ Coupling, Min. 'P' Dim. Obtainable = 4-1/4 [108] or 2-1/16 [52] for 12 [305] NPT.
2. Feet bolted to floor using min. 1/2 [13] dia. anchors.
3. 2 [51] No-Hub vent connection regularly furnished on right hand side. Left hand available when specified (Suffix -VL)
4. Auxiliary inlet available right (-JR) or left (-JL) or both sides (-JJ) when specified.

**ENGINEERING SPECIFICATION: ZURN ZF1202-ND4-F\_**

EZCarry® One-piece combination floor mounted foot/faceplate vertical siphon jet water closet carrier system, supplied for ( ) rough-in height, with high performance Dura-Coated cast iron main fitting with hydro-mechanically optimized sweep, 4" [102 mm] no-hub connections and extended 2" [51 mm] vent. Corrosion resistant, adjustable 3" [76 mm] dia. X 6" [152 mm] couplings with integral test caps, designed to increase flow velocity and line carry, and labor saving "Neo-Seal" bonded gaskets optimize flow performance while reducing installation steps. Complete system includes one-piece combination foot/faceplates; heavy-duty 1/2" [13 mm] rear anchor tie downs; fixture bolts, trim and stud protectors. EZCarry® one-piece combination floor mounted foot/faceplate system complies with all applicable requirements of ASME A112.6.1M up to a 500 lbs [227 kg] maximum static load.

**OPTIONS** (Check/specify appropriate options)

- \_\_\_ ZF1202-ND4-F55 4 [102] No-Hub Back-to-Back Inlet (Double), with 5-1/2 [140] Non-Adjustable Rough-In Height
- \_\_\_ ZF1202-ND4-F75 4 [102] No-Hub Back-to-Back Inlet (Double), with 7-1/2 [191] Non-Adjustable Rough-In Height

**PREFIXES**

- \_\_\_ ZF D.C.C.I. System with Zurn ZZ Adjustable Coupling\*
- \_\_\_ ZQF D.C.C.I. System with NPT Faceplate, Non-Adjustable Coupling

**SUFFIXES**

- \_\_\_ -A Auxiliary Support Assembly (For 'P' Dim. Greater than 18 [457])
- \_\_\_ -CC Corrosion Resistant Cast Iron Coupling (2-1/4 to 12 [57 to 305])
- \_\_\_ -CE EZ-Set™ Coupling (NPSM 6 [152], 12 [305] or custom) (NPT 12 [305] or custom)
- \_\_\_ -CL Custom Length Standard Coupling with Integral Test Cap (Specify Length 4, 8, 10, 12 [102, 203, 254, 305])
- \_\_\_ -CS 2-1/4 [57] Polymer Coupling with Integral Test Cap (ZZ Coupling Only)
- \_\_\_ -F Floor Mounted, Back Outlet Fixture Support
- \_\_\_ -G Galvanized Cast Iron
- \_\_\_ -JJ Two 2 [51] Auxiliary Inlets
- \_\_\_ -JL 2 [51] Left-Hand Auxiliary Inlet
- \_\_\_ -JR 2 [51] Right-Hand Auxiliary Inlet
- \_\_\_ -M Auxiliary Foot Support (for 'P' Dim. 10 thru 18 [254 thru 457])
- \_\_\_ -VL Left Hand Vent Connection
- \_\_\_ -VP Vandal-Proof Trim
- \_\_\_ -45 Finishing Frame for Siphon Jet System
- \_\_\_ -50 Flush Valve Supply Support for Water Closets

\* Regularly furnished unless otherwise specified.