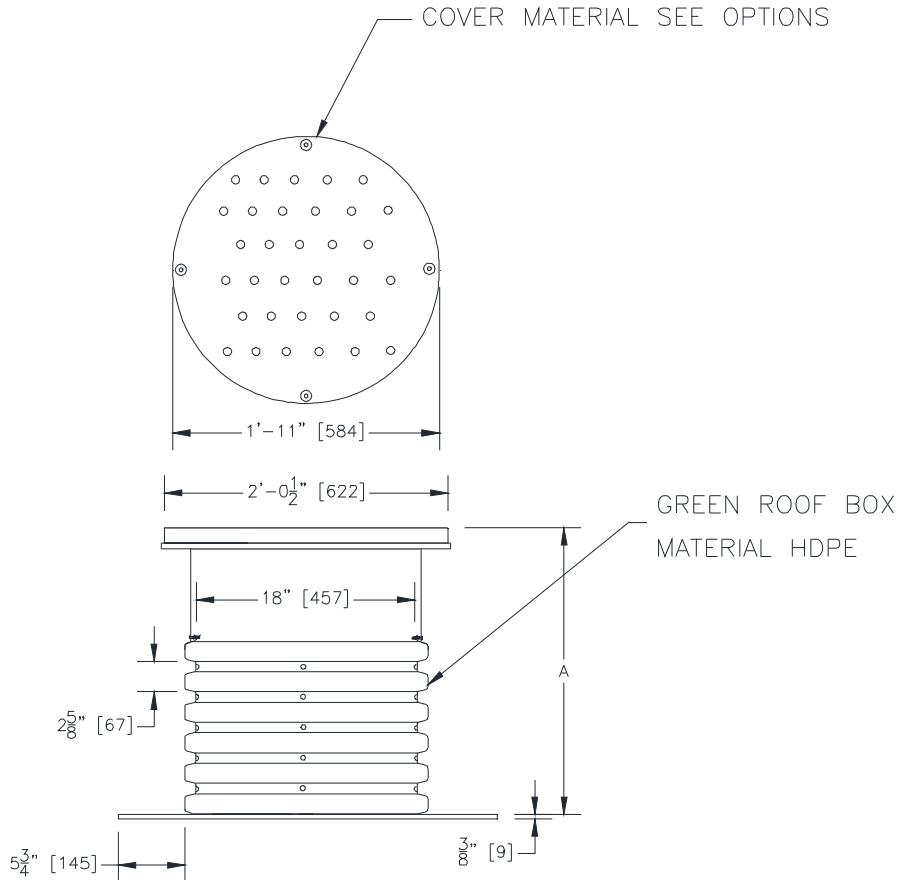




ZF110-R

HDPE ADJUSTABLE ROUND GREEN ROOF BOX

Dimensional Data (inches and [mm]) are Subject to Manufacturing Tolerances and Change Without Notice



Product Size	Product Description	'A' In. [mm]	Product Weight Lbs. [kg]
ZF110-R1	Adjustable Round HDPE	14 [356]	26 [12]
ZF110-R2	Adjustable Round HDPE	24 [610]	34 [15]
ZF110-R3	Adjustable Round HDPE	36 [914]	41 [19]
ZF110-R4	Adjustable Round HDPE	48 [1219]	49 [22]

ENGINEERING SPECIFICATION: ZURN ZF110-R

Zurn green roof drain box. HDPE Adjustable deep sump box for green roof applications. Box can be field cut for additional installation heights.

PREFIXES

___ Z HDPE Adjustable Round Green Roof Box*

OPTIONS

- ___ DW Double Wall Corrugated
- ___ LP1 HDPE Perforated Lid
- ___ LP2 2000 Lbs. Load Composite Lid Perforated
- ___ LS1 HDPE Solid Lid
- ___ LS2 2000 Lbs. Load Composite Lid Solid
- ___ RB S/S Recessed Barrier

NOTE: The HDPE adjustable green roof box will accommodate all Zurn Froet™ 100C drains except for the 100C8

* Regularly furnished unless otherwise specified.