



ZERK-C-__-TM

Sensor Operated Water Closet Retrofit Kit

TAG _____

Architectural/Engineering Specification:

The ZER EZ Gear Water Closet Retrofit kit is performance engineered with the dual action of the ceramic disc cartridge and motor gear-driven operation. Its polished chrome-plated finish, modern top-mount design, and quiet diaphragm operation are ideal for retrofit commercial restroom applications.

Product Features:

- Zurn's TPE diaphragm
 - Clog-resistant bypass
 - Chloramine resistant
- Proprietary dezincification-resistant, low-lead brass alloy
- Actuator
 - Electronic automatic sensor
 - Gear-driven ceramic cartridge
- Electronic Manual Override Button
- Chloramine-resistant internal seals
- Operating Pressure
 - 25 psi (running) - 80 psi (static)
 - Higher running pressure may be required for some fixtures. Consult fixture manufacturer for details.

Compliance and Certification:

- ADA Compliant
- Texas Accessibility Standard (TAS)



Flow Options:

	Flush Volume	Dual Flush
-ONE	1.1 gpf	
-HET	1.28 gpf	
-WS1	1.6 gpf	1.6/1.1 gpf

Power Options:

- Lithium Metal Battery (Standard)

Suffix Options:

- DF Dual Flush (See Chart Above)

Meets the American Disabilities Guidelines and ANSI A117.1 requirements when installed according to these requirements. In Canada - Consult local codes and standards.

Architectural/Engineering Approval

The information contained in this document is subject to change without notice. Please contact Zurn for most up to date information.



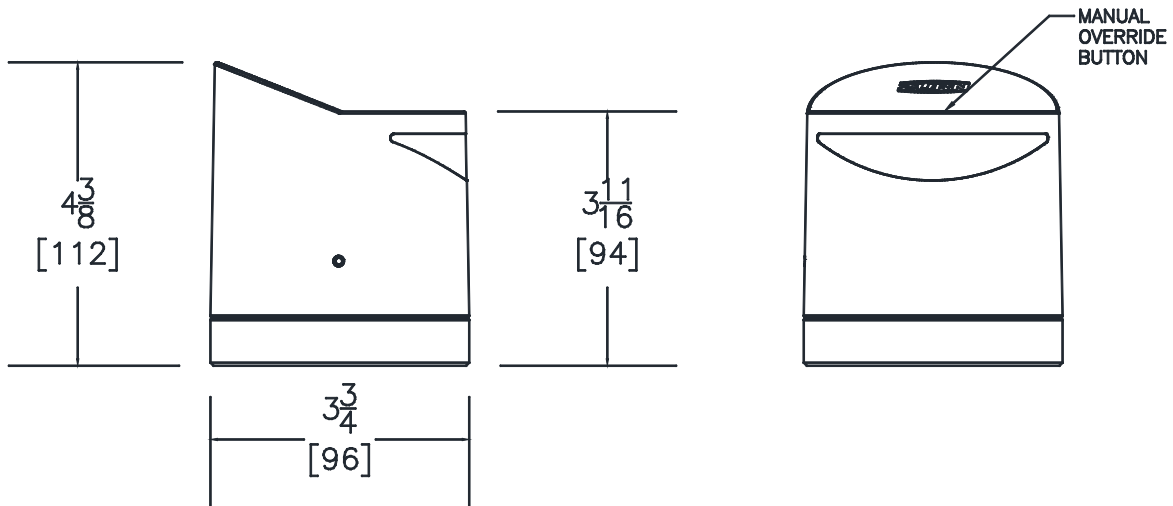


ZERK-C-__-TM

Sensor Operated Water Closet Retrofit Kit

TAG _____

Rough-in dimensions/Overview dimensions



Meets the American Disabilities Guidelines and ANSI A117.1 requirements when installed according to these requirements. In Canada - Consult local codes and standards.