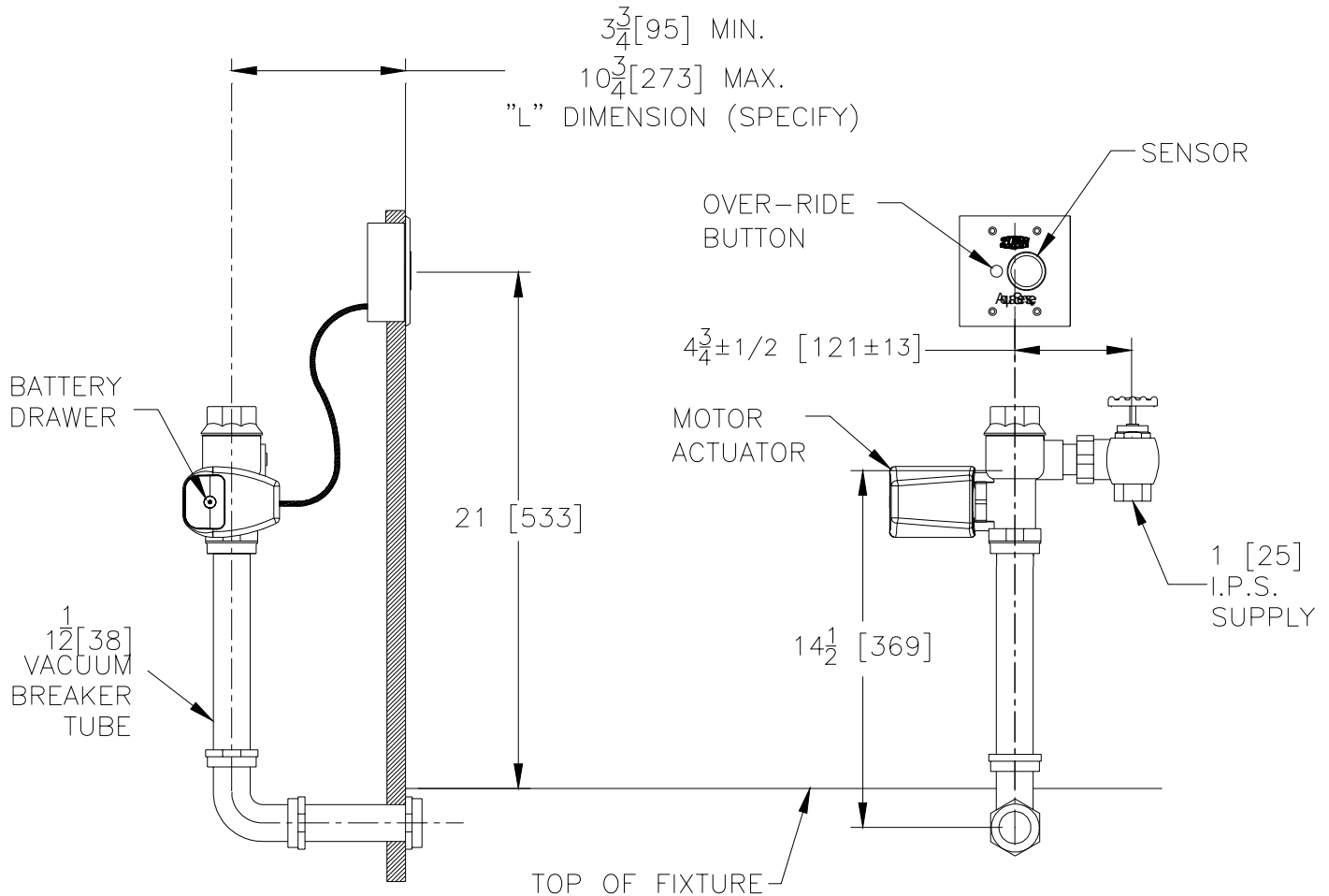




Concealed ZER6252 Model

Sensor Operated Battery Powered Metroflush Valve For Water Closets



Flow Options

- WS1** 1.6 Gal. Low Consumption
- FF** 4.5 Gal. Full Flush
- Standard Flush** 3.5 Gallons Per Flush

Suffix Options (Check/Specify Appropriate Options)

- YB** Sweat Solder kit
- Other

This space is for Architectural/engineering Approval

ENGINEERING SPECIFICATION: ZURN ZER6252 AquaSense Concealed Sensor Operated Battery Powered Metroflush Valve For Water Closets- Concealed, quiet piston type brass flushometer valve. Complete with Zurn MetroVantage chloramine resistant piston with a clog resistant filtered by-pass. The valve is ADA compliant and incorporates a 6VDC motor actuator, a battery powered automatic sensor with manual override pushbutton, high back pressure vacuum breaker, hex coupling nut, adjustable tailpiece, spud coupling and flange for back spud connection. Switchable sensor features include 24 hour auto flush and diagnostic indicator lights. Control stop has internal siphon-guard protection. Internal seals are made of chloramine resistant materials.

ZURN INDUSTRIES, INC. ♦ COMMERCIAL BRASS OPERATION ♦ 5900 ELWIN BUCHANAN DRIVE ♦ SANFORD NC 27330

Phone: 1-800-997-3876 ♦ Fax: 919-775-3541 ♦ World Wide Web: www.zurn.com

In Canada: ZURN INDUSTRIES LIMITED ♦ 3544 Nashua Drive ♦ Mississauga, Ontario L4V1L2 ♦ Phone: 905-405-8272 Fax: 905-405-1292