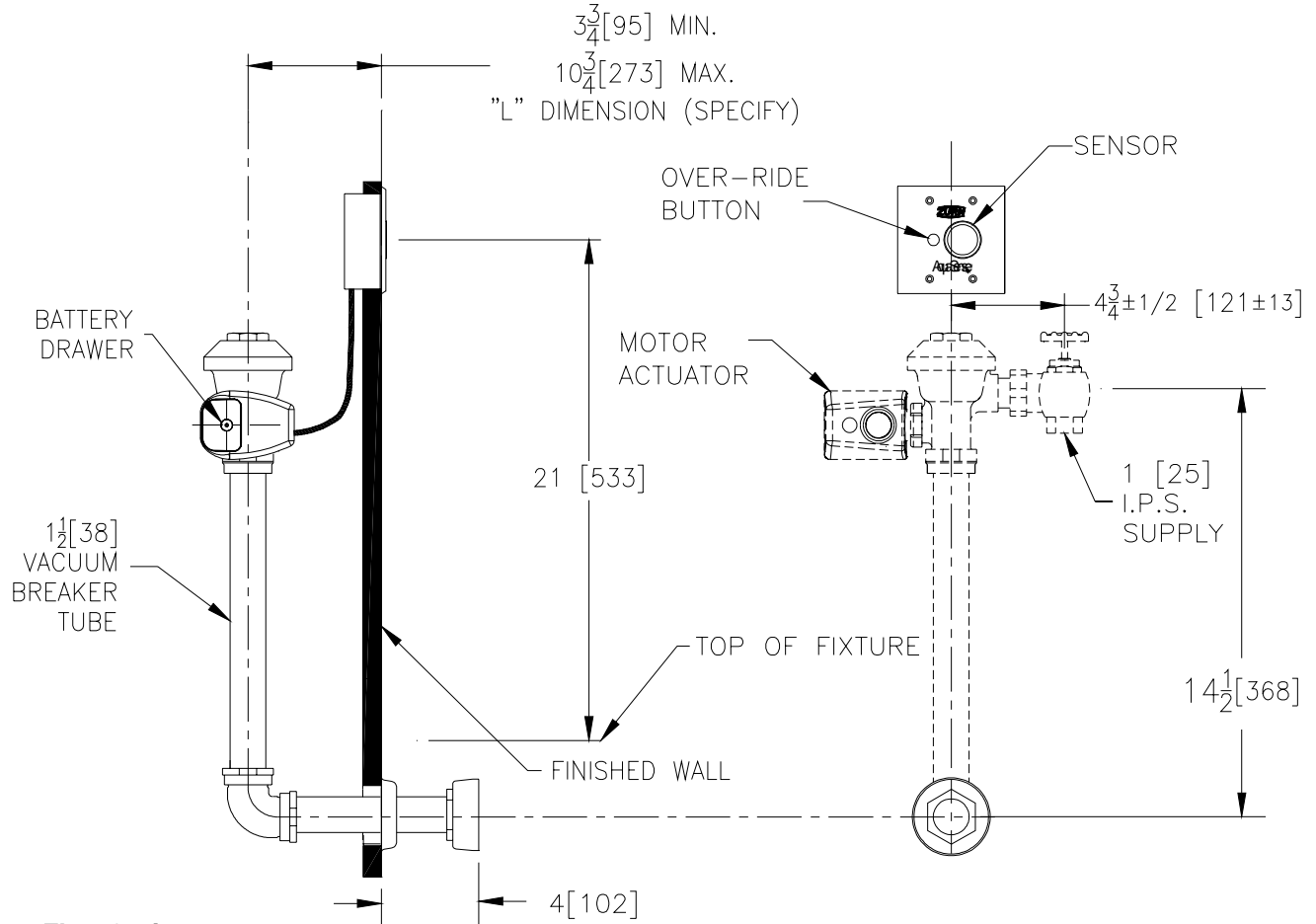




Concealed ZER6154AV Model

Battery Powered Automatic Sensor Flush Valve with Exposed Back Spud Connection for Water Closets



Flow Options

<input type="checkbox"/>	-WS1	1.6 Gal. Low Consumption
<input type="checkbox"/>	-FF	4.5 Gal. Full Flush
<input type="checkbox"/>	Standard Flush	3.5 Gallons Per Flush

Suffix Options (Check/Specify Appropriate Options)

Other _____

This space is for Architectural/engineering Approval

ENGINEERING SPECIFICATION: ZURN ZER6154AV AquaSense 'AV' Concealed Battery Powered Automatic Sensor Flush Valve with Back Spud Connection for Water Closets- Concealed, quiet diaphragm-type, rough brass, flushometer valve with Zurn's AquaVantage TPE, chloramine resistant, dual seal diaphragm with a clog resistant triple filtered by-pass. The valve incorporates a 6 VDC motorized actuator, a battery powered automatic sensor with a manual push-button override, high back pressure vacuum breaker, one piece hex coupling nut and adjustable tailpiece, spud coupling and flange for back spud connection. Switchable sensor features include 24 hour auto flush and diagnostic indicator lights. Control stop has internal siphon-guard protection, and a sweat solder kit. Internal seals are made of chloramine resistant materials.

ZURN INDUSTRIES, INC. ♦ COMMERCIAL BRASS OPERATION ♦ 5900 ELWIN BUCHANAN DRIVE ♦ SANFORD NC 27330

Phone: 1-800-997-3876 ♦ Fax: 919-775-3541 ♦ World Wide Web: www.zurn.com

In Canada: ZURN INDUSTRIES LIMITED ♦ 3544 Nashua Drive ♦ Mississauga, Ontario L4V1L2 ♦ Phone: 905-405-8272 Fax: 905-405-1292