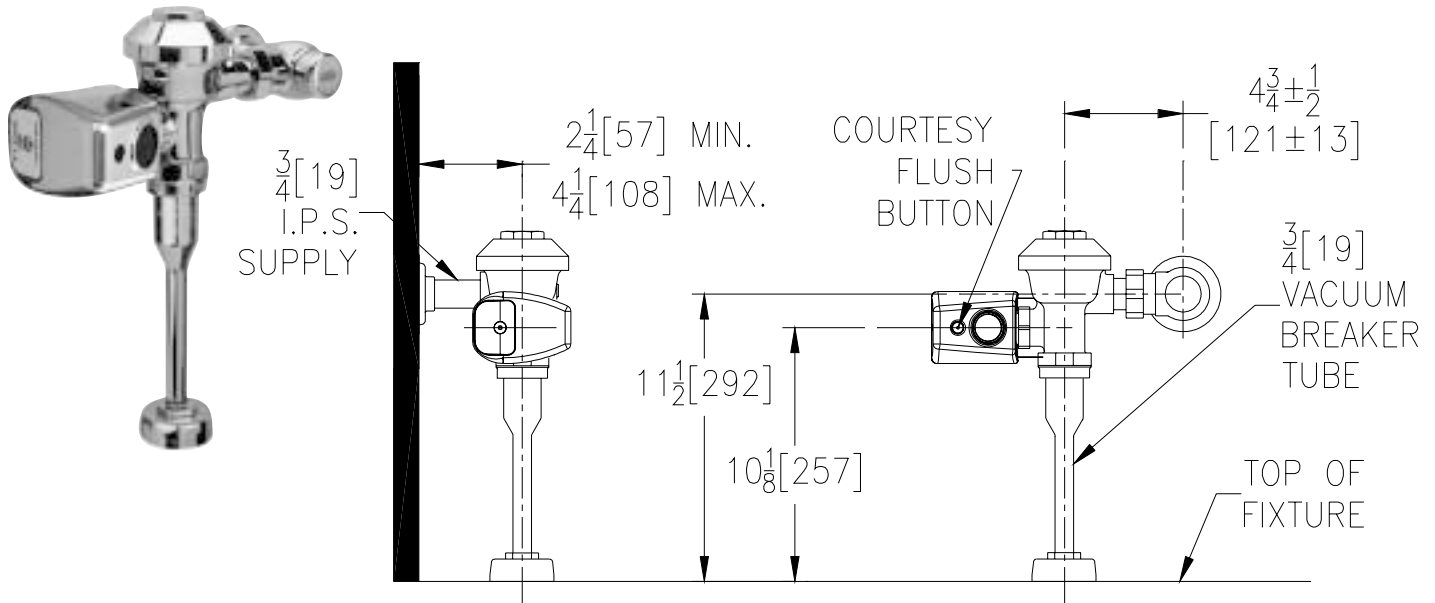




Exposed ZER6003-CP Model Sensor Operated Battery Powered Flush Valve For 3/4" Urinals



Flow Options

- WS1 1.0 Gal. Low Consumption
- Standard Flush 1.5 Gal. Full Flush

Suffix Options (Check/Specify Appropriate Options)

- _____ -YJ Split Ring Pipe Support
- _____ -YK Solid Ring Pipe Support
- _____ -VC Vandal Resistant Stop Cover
- _____ -YB Sweat Solder Kit
- _____ -YC Cast Wall Flange
- _____ Other

ENGINEERING SPECIFICATION: ZURN ZER6003-CP

AquaSense Exposed Urinal Flush Valve - Exposed, quiet diaphragm-type, chrome plated, flushometer with a polished exterior. Complete with chloramine resistant, dual seal diaphragm with a clog resistant by-pass. The valve incorporates a 6VDC motor actuator, a battery powered automatic sensor, high impact resistant polycarbonate housing and chrome plated plastic cover with manual override push button and 10 degree angled sensor, high back pressure vacuum breaker, one piece hex coupling nut, adjustable tailpiece, spud coupling and flange for top spud connection. Control stop has internal siphon-guard protection. Internal seals are made of chloramine resistant materials.

This space is for Architectural/engineering Approval