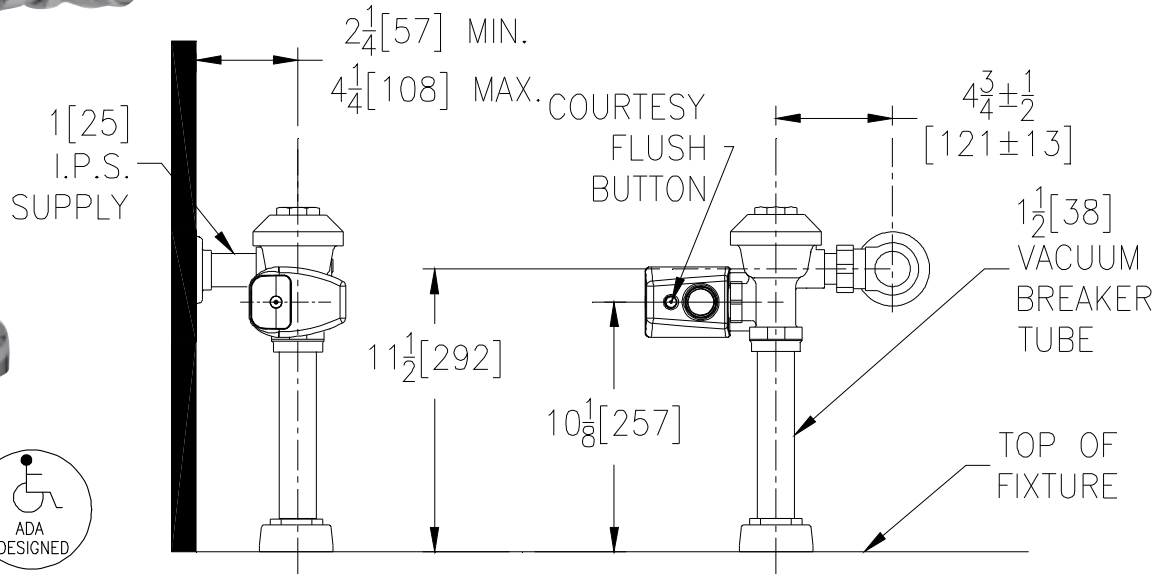




Exposed ZER6000-CPM Model Sensor Operated Battery Powered Flush Valve For Water Closets



Flow Options

- HET 1.28 GPF High Efficiency
- WS1 1.6 GPF Low Consumption
- Standard Flush 3.5 Gallons Per Flush
- FF 4.5 Gallons Full Flush

Suffix Options (Check/Specify Appropriate Options)

- _____ -YJ Split Ring Pipe Support
- _____ -YK Solid Ring Pipe Support
- _____ -YO Bumper On Angle Stop
- _____ -VC Vandal Resistant Stop Cover
- _____ -YB Sweat Solder Kit
- _____ -YC Cast Wall Flange
- _____ Other

ENGINEERING SPECIFICATION: ZURN ZER6000-CPM AquaSense Exposed Closet Flush Valve - Exposed, quiet diaphragm-type, chrome plated flushometer valve with a polished exterior. Complete with chloramine resistant, dual seal diaphragm with a clog resistant by-pass. The valve incorporates a 6VDC motor actuator, a battery powered automatic sensor, high impact resistant polycarbonate housing and chrome plated metal cover with manual override push button and 10 degree angled sensor, high back pressure vacuum breaker, one piece hex coupling nut, adjustable tailpiece, spud coupling and flange for top spud connection. Control stop has internal siphon-guard protection. Internal seals are made of chloramine resistant materials.

- ZER6000PL-CPM - Aquaflush Plus** is furnished as specified above and includes sweat solder kit, vandal resistant stop cap, and cast wall flange with set screw.

This space is for Architectural/engineering Approval

ZURN INDUSTRIES, INC. ♦ COMMERCIAL BRASS OPERATION ♦ 5900 ELWIN BUCHANAN DRIVE ♦ SANFORD NC 27330

Phone: 1-800-997-3876 ♦ Fax: 919-775-3541 ♦ World Wide Web: www.zurn.com

In Canada: ZURN INDUSTRIES LIMITED ♦ 3544 Nashua Drive ♦ Mississauga, Ontario L4V1L2 ♦ Phone: 905-405-8272 Fax: 905-405-1292