



# ZEMS6000

Exposed Flush Valve for Water Closets

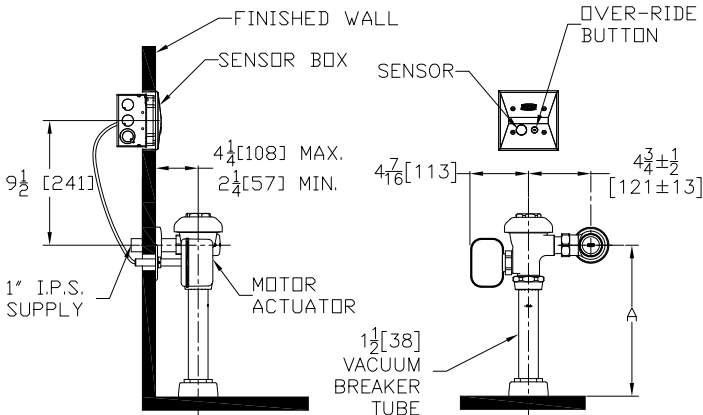
TAG \_\_\_\_\_

### Architectural/Engineering Specification:

Exposed, quiet diaphragm-type, chrome plated flushometer valve with a polished exterior. Complete with chloramine resistant, dual seal diaphragm with a clog resistant by-pass. The valve incorporates a 6VDC motor actuator, an automatic sensor with capacitive sensing push button override, high impact resistant polycarbonate housing and chrome plated plastic cover with manual override push button and 10 degree angled sensor.

### Product Features:

- Control Stop has internal siphon-guard protection, sweat solder kit, wall flange with set screw.
- High back pressure Vacuum Breaker with one piece hex coupling nut
- Chloramine resistant Internal seals
- Adjustable tailpiece
- Spud coupling and flange for top spud connection



Rough-in/Overview dimensions

### Valve Height Options:

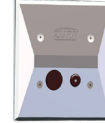
	Product No.	A
	ZEMS6000	11 1/2" [292]
	ZEMS6000-1	16" [406]
	ZEMS6000-2	24" [610]

### Accessories (Order separate as specified)

- P6900-ACA-BA 7.6VDC Plug-In ACA Power Supply Powers up to 4 valves
- P6000-HW6 7.6VDC Hardwired Power Converter Powers up to 8 valves
- P6000-MJ Mini Junction Box

### Compliance and Certification:

- ADA Compliant
- WaterSense Compliant



### Flow Options:

	Flush Volume	WaterSense Compliant
-ONE*	1.1 gpf	✓
-HET*	1.28 gpf	✓
-WS1	1.6 gpf	
-Standard	3.5 gpf	

### Suffix Options:

- FM12 Floor Mount 12" Rough In
- MOB Manual Over-ride Button (Front of Body)
- VC Vandal Resistant Stop Cover
- YJ Split Ring Pipe Support
- YK Solid Ring Pipe Support
- YO Bumper on Angle Stop

### Upgrade Options:

- PL **Aquaflush Plus** - includes Vandal Resistant Stop Cover and Proprietary Dezincification resistant low lead brass alloy body.
- TFB Triple Filter By-pass

\* Not available w/-TFB

**Architectural/Engineering Approval**

The information contained in this document is subject to change without notice. Please contact Zurn for most up to date information.

This product should be used with a WaterSense labeled counterpart with a compatible flow volume to ensure that the entire system meets the requirements for water efficiency and performance.