



ZE1201-H_4

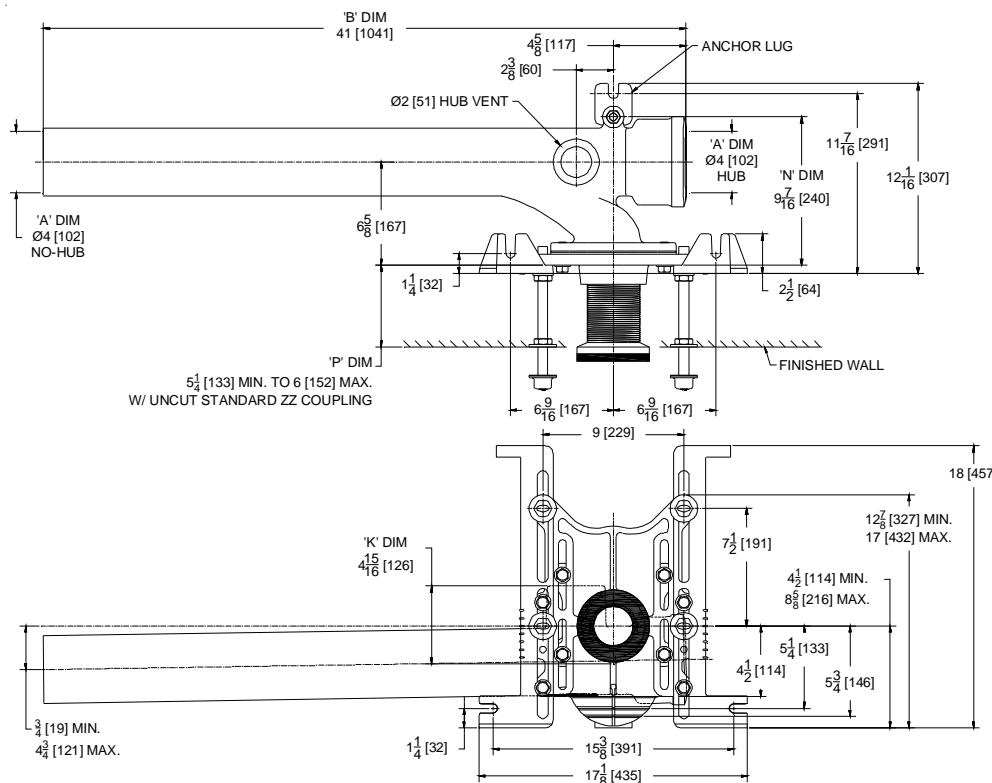
ELONGATED BARREL FITTING 41 [1042]
 EZCARRY® ADJUSTABLE HORIZONTAL HIGH PERFORMANCE
 SIPHON JET HUB AND SPIGOT WATER CLOSET CARRIER SYSTEM

SPECIFICATION SHEET

TAG _____

Dimensional Data (inches and [mm]) are Subject to Manufacturing Tolerances and Change Without Notice

ZE1201-HR4 Illustrated



Product Number	Approx. Wt. lbs [kg]
ZE1201-HL4	99 [45]
ZE1201-HR4	

Note:

1. Z coupling, Min. 'P' Dim. Obtainable=2 [51]. EZ-Set™ Coupling, Min. 'P' Dim. Obtainable=4-1/4 [108] or 2-1/16 [52] for 12 [305] NPT.
2. Feet bolted to floor using min. 1/2 [13] dia. anchors.
3. Rear anchor foot required for secure installation.

ENGINEERING SPECIFICATION: ZURNZE1201-H_4

EZCarry® horizontal siphon jet water closet carrier system, with high performance Dura-Coated cast iron main fitting with hydromechanically optimized sweeps, 4" [102 mm] hub & spigot connections, 38" [965 mm] barrel for stall to stall direct connection, and extended 2" [51 mm] vent. Corrosion resistant, adjustable 3" [76 mm] dia. X 6" [152 mm] coupling with integral test cap, designed to increase flow velocity and line carry, and labor saving "Neo-Seal" bonded gasket optimizes flow performance while reducing installation steps. Complete system includes an adjustable, gasketed faceplate; floor mounted pre-fab slotted foot supports with top anchoring pre-fab support base; heavy-duty 1/2" [13 mm] rear anchor tie down; fixture bolts, trim, and stud protectors. EZCarry® narrow wall system complies with all applicable requirements of ASME A112.6.1M up to a 500 lbs [227 kg] maximum static load.

OPTIONS (Check/specify appropriate options)

- ___ ZE1201-HL4 4 [102] Hub & Spigot, Elongated Left Hand Inlet with Flow to Right
- ___ ZE1201-HR4 4 [102] Hub & Spigot, Elongated Right Hand Inlet with Flow to Left

PREFIXES

- ___ ZE D.C.C.I. System with Zurn ZZ Adjustable Coupling*
- ___ ZQE D.C.C.I. System with NPT Faceplate, Non-Adjustable Coupling

SUFFIXES

- ___ -A Auxiliary Support Assembly (For 'P' Dim. Greater than 18 [457])
- ___ -CC Corrosion Resistant Cast Iron Coupling (2-1/4 to 12 [57 to 305])
- ___ -CE EZ-Set™ Coupling (NPSM 6 [152] ,12 [305] or custom) (NPT 12 [305] or custom)
- ___ -CL Custom Length Standard Coupling with Integral Test Cap (Specify Length 4, 8, 10, 12 [102, 203, 254, 305])
- ___ -CS 2-1/4 [57] Polymer Coupling with Integral Test Cap (ZZ Coupling Only)
- ___ -F Floor Mounted, Back Outlet Fixture Support
- ___ -G Galvanized Cast Iron
- ___ -M Auxiliary Foot Support (for 'P' Dim. 7 thru 18 [178 thru 457])
- ___ -RYK17 One Piece Unistrut Pre-Fab Foot
- ___ -VP Vandal-Proof Trim
- ___ -X2 2 [51] Carrier Foot Extension Assembly
- ___ -X3 3 [76] Carrier Foot Extension Assembly
- ___ -45 Finishing Frame for Siphon Jet System
- ___ -50 Flush Valve Supply Support for Water Closets

* Regularly furnished unless otherwise specified.