



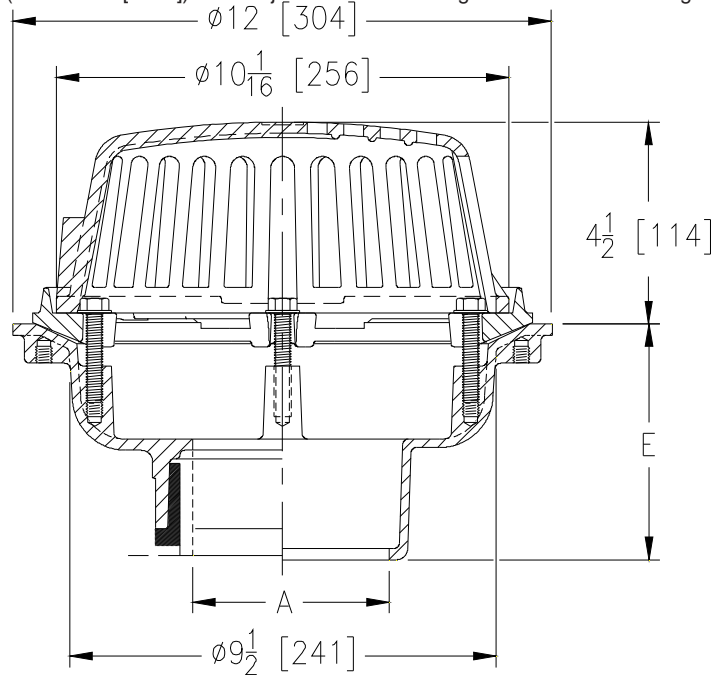
Z121

12 [305] DIAMETER ROOF DRAIN
LOW SILHOUETTE DOME

SPECIFICATION SHEET

TAG _____

Dimensional Data (inches and [mm]) are Subject to Manufacturing Tolerances and Change Without Notice



A Pipe Size In.[mm]	Approx. Wt. Lbs. [kg]	Dome Open Area Sq. In. [cm ²]
2,3,4,6 [51,76,102,152]	22 [10]	78 [503]

ENGINEERING SPECIFICATION: ZURN Z121
12" [305mm] Diameter roof drain. Dura-Coated cast iron body with combination membrane flashing clamp/gravel guard and low silhouette Poly-Dome.

OPTIONS (Check/specify appropriate options)

PIPE SIZE

- 2, 3, 4, 6 [51, 76, 102, 152]
- 2, 3, 4, 6 [51, 76, 102, 152]
- 2, 3, 4, 6 [51, 76, 102, 152]
- 2, 3, 4 [51, 76, 102]

(Specify size/type) **OUTLET**

- _____ IC Inside Caulk
- _____ IP Threaded
- _____ NH No-Hub
- _____ NL Neo-Loc

E BODY HT. DIM.

- 5-1/4 [133]
- 3-3/4 [95]
- 5-1/4 [133]
- 4-5/8 [117]

PREFIXES

- ___ Z D.C.C.I. Body with Poly-Dome (4-1/4 [108] Dome Height)*
- ___ ZA D.C.C.I. Body with Aluminum Dome (6-9/16 [167] Dome Height)
- ___ ZC D.C.C.I. Body with Low Silhouette Cast Iron Dome

SUFFIXES

- | | |
|--|--|
| ___ -AR Acid Resistant Epoxy Coated Finish | ___ -VP Vandal-Proof Secured Top |
| ___ -C Underdeck Clamp | ___ -XJ Vertical Expansion Joint (See Z190) |
| ___ -DB Deep Sump Body (IC Only) | ___ -84 Stainless Steel Perforated Gravel Guard |
| ___ -DP Top-Set® Roof Deck Plate
(Replaces both the -C and -R) | ___ -85 Stainless Steel Perforated Extension |
| ___ -E 2 [51] High Static Extension (Specify Height) | ___ -89 2 [51] High External Water Dam |
| ___ -EB Top-Set® Adjustable Extension Assembly | ___ -90 90° Threaded Side Outlet Body
(2, 3, 4 [51, 76, 102]) (Previously Z124) |
| ___ -FG Flush Grate | |
| ___ -G Galvanized Cast Iron | |
| ___ -R Roof Sump Receiver | |
| ___ -SC Secondary Clamping Collar | |
| ___ -SS Stainless Steel Mesh Screen Over Dome | |
| ___ -TC Neo-Loc Test Cap Gasket
(2, 3, 4 [51, 76, 102] NL Bottom Outlet Only) | |

* Regularly furnished unless otherwise specified.