



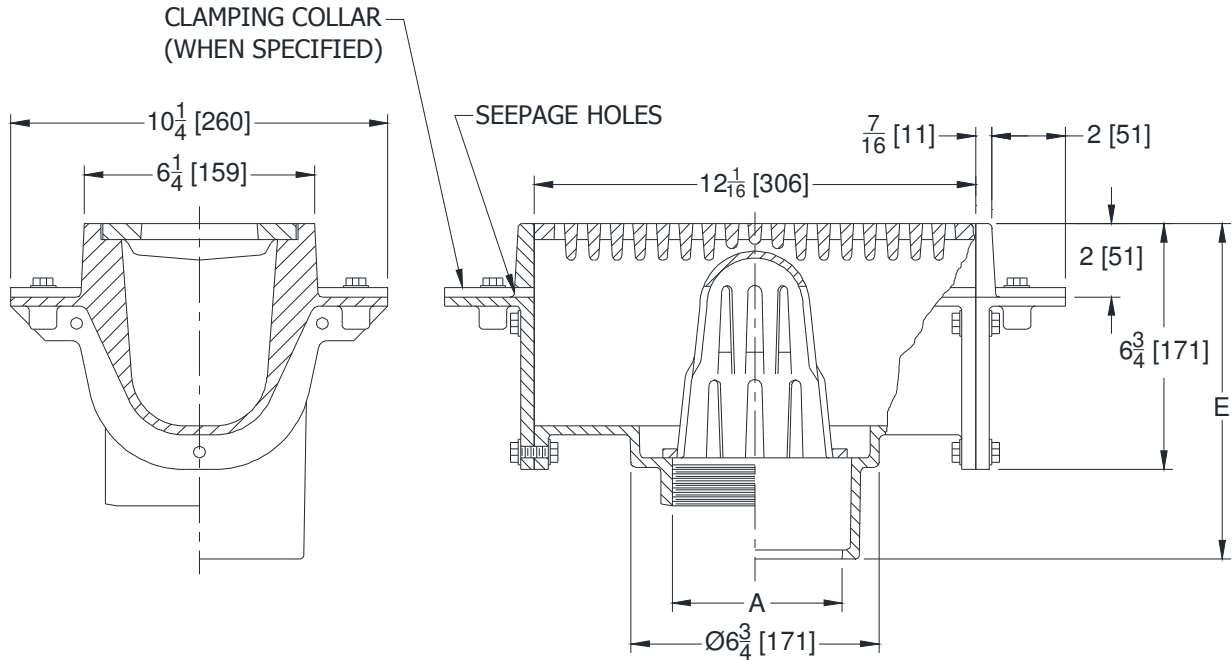
Z664

**6" [152] WIDE MODULAR TRENCH DRAIN
HEAVY-DUTY**

SPECIFICATION SHEET

TAG _____

Dimensional Data (inches and [mm]) are Subject to Manufacturing Tolerances and Change Without Notice



A Pipe Size In. [mm]	Approx. Wt. Lbs. [kg]	Grate Open Area Sq. In. [cm ²]
2,3,4 [51,76,102]	35 [16]	14 [90]

ENGINEERING SPECIFICATION: ZURN Z664

6" [152mm] Wide Top modular trench drain, Dura-Coated cast iron drain section with bottom outlet and secondary dome strainer. Both 12" [305mm] long outlet and extension modules are complete with integral seepage pan and loose heavy-duty slotted heel-proof grate.

OPTIONS (Check/specify appropriate options)

PIPE SIZE

- 2,3,4 [51,76,102]
- 2,3,4 [51,76,102]
- 2,3,4 [51,76,102]
- 2,3,4 [51,76,102]

(Specify size/type) **OUTLET**

- ___ IC Inside Caulk
- ___ IP Threaded
- ___ NH No-Hub (IP w//Z1040)
- ___ NL Neo-Loc

'E' BODY HT. DIM.

- 9-1/8 [232]
- 9-1/8 [232]
-
- 8-3/8 [213]

PREFIXES

- ___ Z D.C.C.I. Body and Top*
- ___ ZB D.C.C.I Body w/ Polished Bronze Top (Add 1/8 [3] to 'E' and 2 [51] Dim.)
- ___ ZN D.C.C.I Body w/ Polished Stainless Steel Top (Add 1/8 [3] to 'E' and 2 [51] Dim.)

SUFFIXES

- ___ -AR Acid Resisting Epoxy Coated Cast Iron (Per Section)
- ___ -C Clamp Collar (Per Section)
- ___ -DG Duresist Grate (Per Section)
- ___ -ES 12 [305] Extension Section (Specify Number of Sections Required)
- ___ -G Galvanized Cast Iron (Per Section)
- ___ -M Side Outlet Adapter Via End Plate
- ___ -SQ Square Hole Grate
- ___ -V Backwater Valve (See Z1099)
- ___ -VP Vandal-Proof Secured Top (Per Section)
- ___ -Y Sediment Bucket (Per Outlet Section)

* Regularly furnished unless otherwise specified.