



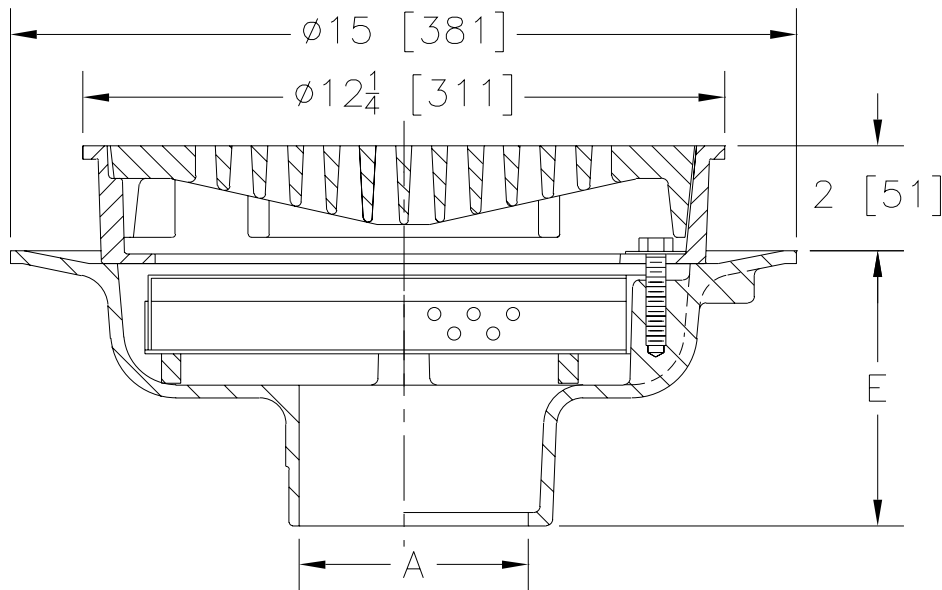
# Z509

12-1/4 [311] DIAMETER TOP HEAVY-DUTY DRAIN  
WITH SEDIMENT BUCKET

SPECIFICATION SHEET

TAG \_\_\_\_\_

Design and Dimensional Data (inches and [ mm ]) are Subject to Manufacturing Tolerances and Change Without Notice



'A' Pipe Size In. [mm]	Approx. Wt. Lbs. [kg]	Grate Open Area Sq. In. [cm <sup>2</sup> ]
2,3,4,6 [51,76,102,152]	39 [18]	30 [194]
8 [203]	41 [19]	

**ENGINEERING SPECIFICATION: ZURN Z509**

12-1/4 [311mm] Diameter top drain. Dura-Coated cast iron body with bottom outlet, seepage pan and combination membrane flashing clamp and frame for ductile deep flange slotted grate with sediment bucket.

**OPTIONS** (Check/specify appropriate options)

**PIPE SIZE**

- \_\_\_ 3, 4, 6, [76, 102, 152]
- \_\_\_ 3, 4, 6, [76, 102, 152]
- \_\_\_ 2, 3, 4, 6, 8 [51, 76, 102, 152, 203]
- \_\_\_ 2, 3, 4, 6, 8 [51, 76, 102, 152, 203]
- \_\_\_ 2, 3, 4, [51, 76, 102]

(Specify size/type) **OUTLET**

- \_\_\_ IC Inside Caulk
- \_\_\_ IG Inside Gasket
- \_\_\_ IP Threaded
- \_\_\_ NH No-Hub
- \_\_\_ NL Neo-Loc

**'E' BODY HT. DIM.**

- \_\_\_ 5-1/4 [133]
- \_\_\_ 5-1/4 [133]
- \_\_\_ 3-3/4 [95]
- \_\_\_ 5-1/4 [133]
- \_\_\_ 4-5/8 [117]

**PREFIXES**

- \_\_\_ Z D.C.C.I. Body and Top\*
- \_\_\_ ZN D.C.C.I. Body with Polished Nickel Bronze Top (Add 3/16 [5]) to 2 [51] Dim. and 3/4 [19] to 12-1/4 [311] Dim.)

**SUFFIXES**

- |   |   |
|---|---|
| ___ -AR Acid Resistant Epoxy Coated Cast Iron             | ___ -SS Stainless Mesh Liner for Bucket   |
| ___ -F Extension Frame<br>(Specify Total Height Required) | ___ -T Square Top   |
| ___ -G Galvanized Cast Iron                               | ___ -TC Neo-Loc Test Cap Gasket<br>(2,3,4 [51,76,102] NL Bottom Outlet Only)            |
| ___ -HP Heel-Proof Grate                                  | ___ -TS Top Secured with Slotted Screws   |
| ___ -HT Square Hinged Grate                               | ___ -TSP Trap Seal Protection Device<br>(Size Matches Drain Outlet Selected, See Z1072) |
| ___ -P Trap Primer Connection                             | ___ -V Backwater Valve (See Z1099)  |
| ___ -S Secondary Strainer                                 | ___ -VP Vandal-Proof Secured Top  |
| ___ -SA Stabilizer Assembly (See Z1036)                   | ___ -90 90° Threaded Side Outlet Body<br>(2,3,4,6 [51,76,102,152] Only)                 |
| ___ -SC Solid Cover                                       |   |

\* Regularly furnished unless otherwise specified

- ⚠ **WARNING:** Cancer and Reproductive Harm - [www.P65Warnings.ca.gov](http://www.P65Warnings.ca.gov)
- ⚠ **ADVERTENCIA:** Cáncer y daño reproductivo - [www.P65Warnings.ca.gov](http://www.P65Warnings.ca.gov)
- ⚠ **AVERTISSEMENT:** Cancer et effets néfastes sur la reproduction - [www.P65Warnings.ca.gov](http://www.P65Warnings.ca.gov)

Zurn Industries, LLC | Specification Drainage Operation  
1801 Pittsburgh Avenue, Erie, PA 16502, Ph. 855.663.9876

In Canada | Zurn Industries Limited  
7900 Goreway Drive, Unit 10, Brampton, Ontario L6T 5W6, Ph. 877.892.5216

[www.zurn.com](http://www.zurn.com)

Rev. K  
Date: 12/29/2020  
C.N. No. 143354  
Prod. | Dwg. No. Z509