



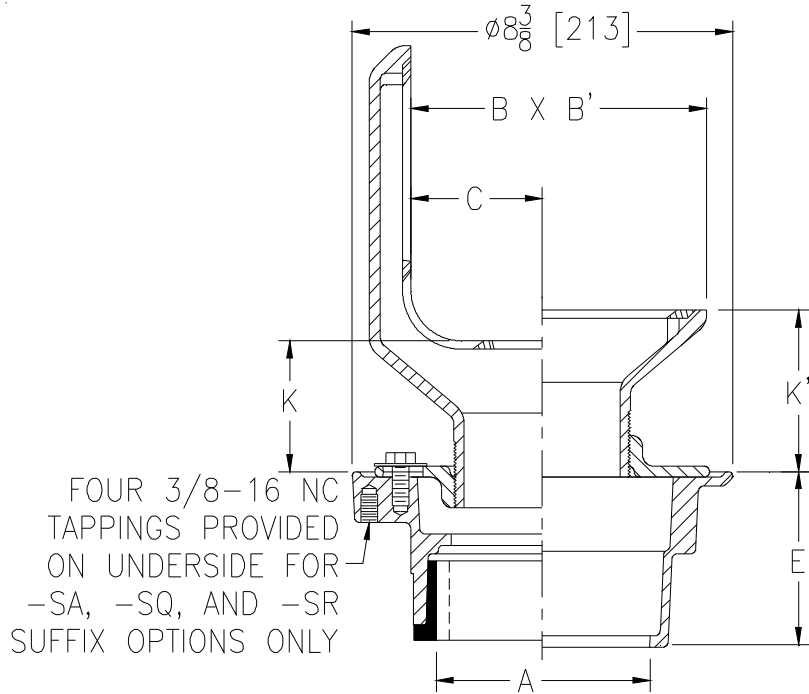
Z415K

BODY ASSEMBLY W/ "TYPE K" STRAINER

SPECIFICATION SHEET

TAG _____

Dimensional Data (inches and [mm]) are Subject to Manufacturing Tolerances and Change Without Notice



Strainer Desig.	Dimensions In Inches [mm]							Approx. Wt. Lbs. [kg]	Strainer Open Area Sq. In. [cm ²]
	A Pipe Size	B X B'	C	K		K'			
				Min.	Max.	Min.	Max.		
-5K	2,3,4 [51,76,102]	3-3/4 x 5 [102 x 127]	1-7/32 [31]	1 [25]	2 [51]	1-3/4 [44]	2-3/4 [70]	18 [8]	11 [71]
-7K	2,3,4 [51,76, 02]	6-5/8 x 7 [178 x 178]	2-15/16 [75]	2-3/16 [56]	3-3/8 [86]	2-7/8 [73]	4-1/8 [105]	25 [11]	29 [187]

ENGINEERING SPECIFICATION: ZURNZN415K

Floor and shower drain, Dura-Coated cast iron body with bottom outlet, combination invertible membrane clamp and adjustable collar with seepage slots and "TYPE K" polished, nickel bronze, angular, light-duty strainer.

OPTIONS (Check/specify appropriate options)

PIPE SIZE

- 2 [51]
- 3 [76]
- 4 [102]
- 2,3,4 [51,76,102]
- 2,3,4 [51,76,102]

(Specify size/type) OUTLET

- _____ IP Threaded
- _____ IP Threaded
- _____ IP Threaded
- _____ NH No-Hub
- _____ NL Neo-Loc

'E' BODY HT. DIM.

- 2-7/16 [62]
- 2-3/4 [70]
- 2-13/16 [71]
- 3-13/16 [97]
- 3-7/8 [98]

PREFIXES

- _____ ZB D.C.C.I. Body Assembly w/ Polished Bronze Top
- _____ ZN D.C.C.I. Body Assembly w/ Polished Nickel Bronze Top*

SUFFIXES

- | | |
|---|--|
| _____ -AR Acid Resisting Epoxy Coated Cast Iron | _____ -U 1 - 3 [25 - 76] High Extension Adapter |
| _____ -G Galvanized Cast Iron | _____ -V Backwater Valve |
| _____ -P Trap Primer Connection (Specify 1/2 [13] or 3/4 [19]) | _____ -VP Vandal-Proof Secured Top |
| _____ -SA Stabilizer Assembly (See Z1035) | _____ -Y Sediment Bucket |
| _____ -SQ Stabilizer Q-Deck (See Z1035-Q) | _____ -90 90° Threaded Side Outlet Body Assembly (2 [51], 3 [76] Only) |
| _____ -SR Stabilizer Ring | |
| _____ -TC Neo-Loc Test Cap Gasket (2, 3, 4 [51, 76, 102] NL Bottom Outlet Only) | |

* Regularly furnished unless otherwise specified.