



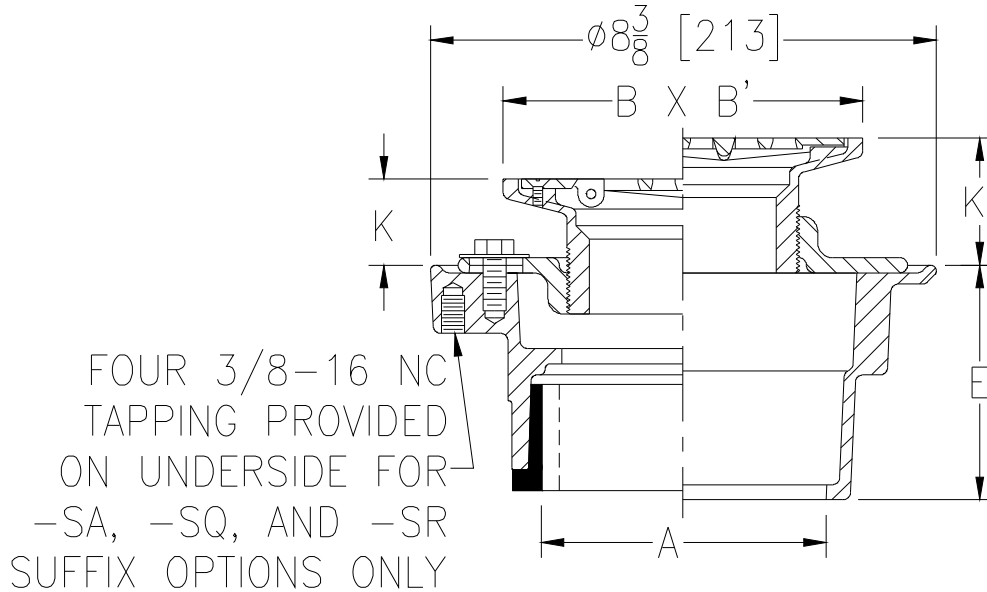
Z415SH

BODY ASSEMBLY W/ "TYPE SH" STRAINER

SPECIFICATION SHEET

TAG _____

Dimensional Data (inches and [mm]) are Subject to Manufacturing Tolerances and Change Without Notice



Dimensions In Inches [mm]						Approx. Wt. Lbs. [kg]	Strainer Open Area Sq. In. [cm ²]
A - Pipe Size	B x B' Strainer Top Size	K		K'			
		Min.	Max.	Min.	Max.		
2, 3, 4 [51, 76, 102]	6 x 6 [152 x 152]	1 [25]	1-7/8 [48]	1-3/4 [44]	2-5/8 [67]	13 [6]	12 [77]
2, 3, 4 [51, 76, 102]	8 x 8 [203 x 203]	1-5/32 [29]	2 [51]	2 [51]	2-3/4 [70]	17 [8]	21 [135]
6 [152]	8 x 8 [203 x 203]	1-5/32 [29]	2 [51]	2 [51]	2-3/4 [70]	19 [9]	21 [135]

ENGINEERING SPECIFICATION: ZURNZN415SH

Floor and shower drain, Dura-Coated cast iron body with bottom outlet, combination invertible membrane clamp and adjustable collar with seepage slots and "TYPE SH" polished nickel bronze, square hinged, light-duty strainer.

OPTIONS (Check/specify appropriate options)

PIPE SIZE	(Specify size/type)	OUTLET	'E' BODY HT. DIM.
2 [51]	_____	IP Threaded	2-3/8 [60]
3 [76]	_____	IP Threaded	2-5/8 [67]
4 [102]	_____	IP Threaded	2-7/8 [73]
6 [152]	_____	IP Threaded	2-3/4 [70]
2, 3, 4 [51, 76, 102]	_____	NH No-Hub	3-7/8 [98]
2, 3, 4 [51, 76, 102]	_____	NL Neo-Loc	3-3/4 [95]

PREFIXES

- _____ ZB D.C.C.I. Body Assembly w/ Polished Bronze Top
- _____ ZN D.C.C.I. Body Assembly w/ Polished Nickel Bronze Top*

SUFFIXES

- | | | | |
|-----------|--|-----------|--|
| _____ -AR | Acid Resisting Epoxy Coated Cast Iron | _____ -U | 1 - 3 [25 - 76] High Extension Adapter |
| _____ -G | Galvanized Cast Iron | _____ -V | Backwater Valve |
| _____ -P | Trap Primer Connection (Specify 1/2 [13] or 3/4 [19]) | _____ -VP | Vandal-Proof |
| _____ -SA | Stabilizer Assembly (See Z1035) | _____ -Y | Sediment Bucket |
| _____ -SQ | Stabilizer Q-Deck (See Z1035-Q) | _____ -90 | 90° Threaded Side Outlet Body Assembly (2 [51], 3 [76] Only) |
| _____ -SR | Stabilizer Ring | | |
| _____ -TC | Neo-Loc Test Cap Gasket (2, 3, 4 [51, 76, 102] NL Outlet Only) | | |

* Regularly furnished unless otherwise specified.