



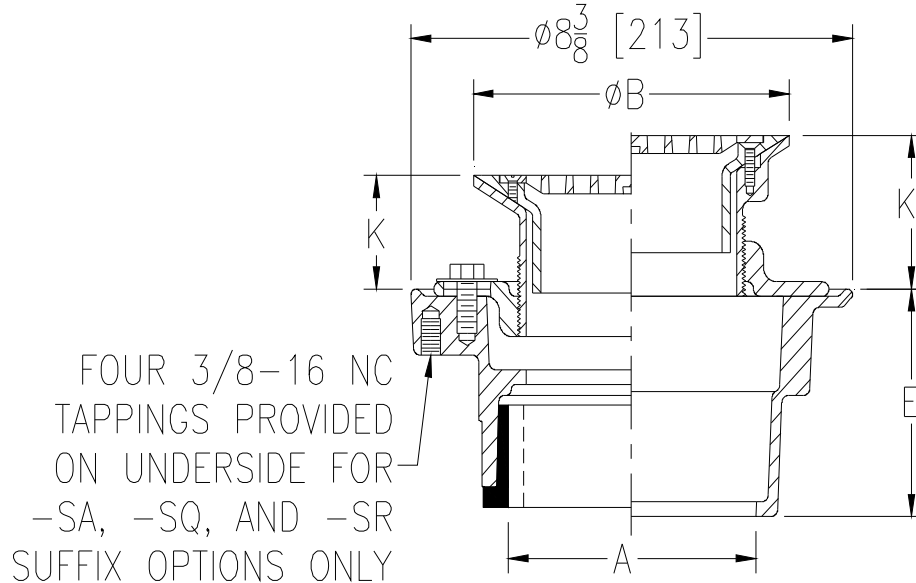
Z415H

BODY ASSEMBLY W/ "TYPE H" STRAINER

SPECIFICATION SHEET

TAG _____

Dimensional Data (inches and [mm]) are Subject to Manufacturing Tolerances and Change Without Notice



Dimensions in In [mm]						Approx. Wt. Lbs. [kg]	Strainer Open Area Sq. In. [cm ²]
A - Pipe Size	B - Top Size	K		K'			
		Min.	Max.	Min.	Max.		
2,3,4 [51,76,102]	6 [152]	1-1/4 [32]	2-3/8 [60]	2-3/16 [56]	3-5/16 [84]	13 [6]	7 [45]
	9 [229]	1-11/16 [43]	2-5/8 [66]	2-7/16 [62]	3-9/16 [90]	20 [9]	18 [116]

ENGINEERING SPECIFICATION: ZURN ZN415H

Floor and shower drain, Dura-Coated cast iron body with bottom outlet, combination invertible membrane clamp and adjustable collar with seepage slots and "TYPE H" polished nickel bronze, light-duty strainer with flashing clamp device for clamping at the finished floor level.

OPTIONS (Check/specify appropriate options)

PIPE SIZE	(Specify size/type)	OUTLET	'E' BODY HT. DIM.
2 [51]	_____	IP Threaded	2-7/16 [62]
3 [76]	_____	IP Threaded	2-3/4 [70]
4 [102]	_____	IP Threaded	2-13/16 [71]
2,3,4 [51,76,102]	_____	NH No-Hub	3-13/16 [97]
2,3,4 [51,76,102]	_____	NL Neo-Loc	3-7/8 [98]

PREFIXES

- _____ ZB D.C.C.I. Body Assembly w/ Polished Bronze Top
- _____ ZN D.C.C.I. Body Assembly w/ Polished Nickel Bronze Top*

SUFFIXES

- _____ -AR Acid Resisting Epoxy Coated Cast Iron
- _____ -G Galvanized Cast Iron
- _____ -P Trap Primer Connection (Specify 1/2 [13] or 3/4 [19])
- _____ -SA Stabilizer Assembly (See Z1035)
- _____ -SQ Stabilizer Q-Deck (See Z1035-Q)
- _____ -SR Stabilizer Ring
- _____ -TC Neo-Loc Test Cap Gasket (2,3,4 [51,76,102] NL Bottom Outlet Only)
- _____ -U 1 - 3 [25 - 76] High Extension Adapter
- _____ -V Backwater Valve
- _____ -VP Vandal-Proof Secured Top
- _____ -Y Sediment Bucket

* Regularly furnished unless otherwise specified.