



Z415-SZ1

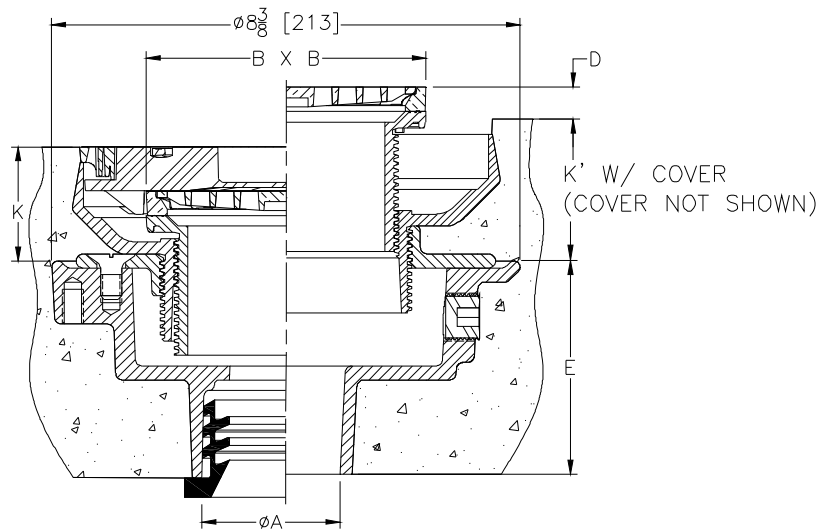
BODY ASSEMBLY W/ "TYPE S" STRAINER and EZ1™ TECHNOLOGY

SPECIFICATION SHEET

TAG _____

Dimensional Data (inches and [mm]) are Subject to Manufacturing Tolerances and Change Without Notice

**PATENT
PENDING**



Note:
Minimum K Dimension is Only Possible with -LR Option

Dimensions In Inches [mm]								Approx. Wt. Lbs. [kg]	Strainer Open Area Sq. In [cm ²]
A Pipe Size	B X B Strainer Top Size	D		K		K'			
		Min.	Max.	Min.	Max.	Min.	Max.		
2, 3 [51, 76]	5 X 5 [127 X 127]	0	1 [25]	2-1/16 [52]	3-1/4 [83]	2-9/16 [65]	3-3/4 [95]	19 [9]	9 [58]
2, 3, 4 [51-76-102]	6 X 6 [152 X 152]	0	1 [25]	2-1/8 [54]	3-5/16 [84]	2-5/8 [67]	3-13/16 [97]	22 [10]	13 [84]
3, 4 [76-102]	8 X 8 [203 X 203]	0	15/16 [24]	2-1/2 [64]	3-11/16 [94]	3 [76]	4-3/16 [106]	27 [12]	27 [174]
6 [152]	8 X 8 [203 X 203]	0	15/16 [24]	2-1/2 [64]	3-11/16 [94]	3 [76]	4-3/16 [106]	28 [13]	27 [174]

ENGINEERING SPECIFICATION:

Zurn Z415-SZ1 floor and shower drain, Dura-coated cast iron body with bottom outlet, combination invertible membrane clamp and adjustable collar with seepage slots and top assembly. EZ1™ drainage series is engineered to simplify product installation, comprised of concrete shield, up to 1" [25] of vertical post pour adjustment, pre-packaged shims for tilt correction and integrated self-contained "Type S" nickel bronze light duty, heel proof strainer with rough-in cover for protection during concrete pour.

OPTIONS (Check/specify appropriate options)

PIPE SIZE

2, 3, 4 [51, 76, 102]
2 [51]
3 [76]
4 [102]
6 [152]
2, 3, 4 [51, 76, 102]
2, 3, 4 [51, 76, 102]

(Specify size/type) OUTLET

_____ IC Inside Caulk
_____ IP Threaded
_____ IP Threaded
_____ IP Threaded
_____ IP Threaded
_____ NH No-Hub
_____ NL Neo-Loc

'E' BODY HT. DIM.

4-3/16 [106]
2-7/16 [62]
2-3/4 [70]
2-13/16 [71]
2-7/8 [73]
3-13/16 [97]
3-7/8 [98]

PREFIXES

___ ZB D.C.C.I. Body Assembly w/ Polished Bronze Top
___ ZN D.C.C.I. Body Assembly w/ Polished Nickel Bronze Top*
___ ZS D.C.C.I. Body Assembly w/ Polished Stainless Steel Top

SUFFIXES

___ -AR Acid Resisting Epoxy Coated Cast Iron
___ -EF 3/4 [19] Extension Frame
___ -G Galvanized Cast Iron
___ -LR Low Rough-In
___ -P Trap Primer Connection (Specify 1/2 *[13] or 3/4 [19])
___ -SA Stabilizer Assembly for Sub-Floor Install (See Z1035)
___ -SQ Stabilizer Q-Deck for Steel Decking Install (See Z1035-Q)
___ -SR Stabilizer Ring Assembly for On-Grade Install
___ -TC Neo-Loc Test Cap Gasket (2,3,4 [51,76,102] NL Outlet Only)
___ -TSP Trap Seal Protection Device (Size Matches Drain Outlet Selected) (See Z1072)
___ -U 2 - 3-1/4 [51-83] High Post-Pour Extension Adapter
___ -UP 1-3/4 [44] Pre-Pour Adjustment Extension Adapter
___ -VP Vandal-Proof Secured Top
___ -Y Sediment Bucket

* Regularly furnished unless otherwise specified.

Zurn Industries, LLC | Specification Drainage Operation
1801 Pittsburgh Avenue, Erie, PA U.S.A. 16502 · Ph. 855-663-9876, Fax 814-454-7929
In Canada | Zurn Industries Limited
3544 Nashua Drive, Mississauga, Ontario L4V 1L2 · Ph. 905-405-8272, Fax 905-405-1292
www.zurn.com

Rev. D
Date: 04/11/2019
C.N. No. 141213
Prod. | Dwg. No. Z415-SZ1