



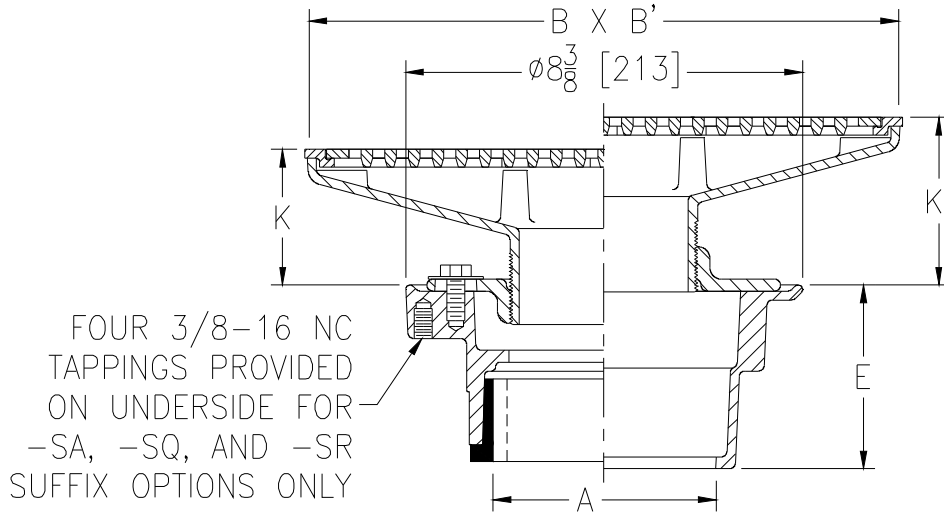
**Z415J**

BODY W/ "TYPE J" HEEL-PROOF STRAINER

SPECIFICATION SHEET

TAG \_\_\_\_\_

Dimensional Data (inches and [ mm ]) are Subject to Manufacturing Tolerances and Change Without Notice



Dimensions In Inches [mm]						Approx. Wt. Lbs. [kg]	Strainer Open Area Sq. In. [cm <sup>2</sup> ]
A - Pipe Size	B x B' Strainer Size	K		K'			
		Min.	Max.	Min.	Max.		
2, 3, 4 [51, 76, 102]	4-1/2 x 8 [114 x 203]	1-3/8 [35]	2-5/8 [67]	2-1/8 [54]	3-3/8 [86]	13 [6]	12 [72]
2, 3, 4 [51, 76, 102]	5 x 9 [127 x 229]	1-5/8 [41]	2-13/16 [71]	2-3/8 [60]	3-5/8 [92]	14 [6]	15 [97]
3, 4 [76, 102]	5-1/2 x 13 [140 x 330]	2-3/32 [51]	3-5/16 [84]	2-13/16 [71]	4 [102]	18 [8]	20 [129]
3, 4 [76, 102]	5 x 17 [127 x 432]	2-1/4 [57]	3-5/16 [84]	2-13/16 [71]	4 [102]	23 [10]	29 [187]
3, 4 [76, 102]	5 x 21 [127 x 533]	2-5/16 [59]	3-5/16 [84]	2-13/16 [71]	4 [102]	27 [12]	32 [206]
6 [152]	10 x 20 [254 x 508]	2-9/16 [65]	3-1/4 [83]	2-7/8 [73]	4 [102]	45 [20]	66 [426]

**ENGINEERING SPECIFICATION: ZURNZN415J**

Floor and shower drain, Dura-Coated cast iron body with bottom outlet, combination invertible membrane clamp and adjustable collar with seepage slots and "TYPE J" polished, nickel bronze rectangular, light-duty, heel-proof strainer.

**OPTIONS** (Check/specify appropriate options)

**PIPE SIZE**

- 2, 3, 4 [51, 76, 102]
- 2 [51]
- 3 [76]
- 4 [102]
- 6 [152]
- 2, 3, 4 [51, 76, 102]
- 2, 3, 4 [51, 76, 102]

(Specify size/type) **OUTLET**

- \_\_\_\_\_ IC Inside Caulk
- \_\_\_\_\_ IP Threaded
- \_\_\_\_\_ IP Threaded
- \_\_\_\_\_ IP Threaded
- \_\_\_\_\_ IP Threaded
- \_\_\_\_\_ NH No-Hub
- \_\_\_\_\_ NL Neo-Loc

**'E' BODY HT. DIM.**

- 4-3/16 [106]
- 2-7/16 [62]
- 2-3/4 [70]
- 2-13/16 [73]
- 2-7/8 [73]
- 3-13/16 [98]
- 3-7/8 [98]

**PREFIXES**

- \_\_\_\_\_ ZB D.C.C.I. Body Assembly w/ Polished Bronze Top
- \_\_\_\_\_ ZN D.C.C.I. Body Assembly w/ Polished Nickel Bronze Top\*

**SUFFIXES**

- \_\_\_\_\_ -AR Acid Resisting Epoxy Coated Cast Iron
- \_\_\_\_\_ -G Galvanized Cast Iron
- \_\_\_\_\_ -P Trap Primer Connection (Specify 1/2 [13] or 3/4 [19])
- \_\_\_\_\_ -SA Stabilizer Assembly (See Z1035)
- \_\_\_\_\_ -SQ Stabilizer Q-Deck (See Z1035-Q)
- \_\_\_\_\_ -SR Stabilizer Ring
- \_\_\_\_\_ -TC Neo-Loc Test Cap Gasket (2, 3, 4 [51, 76, 102] NL Bottom Outlet Only)
- \_\_\_\_\_ -U 1 - 3 [25 - 76] High Extension Adapter
- \_\_\_\_\_ -V Backwater Valve
- \_\_\_\_\_ -VP Vandal-Proof Secured Top
- \_\_\_\_\_ -Y Sediment Bucket
- \_\_\_\_\_ -90 90° Threaded Side Outlet Body Assembly (2,3 [51,76] Only)

\* Regularly furnished unless otherwise specified.