



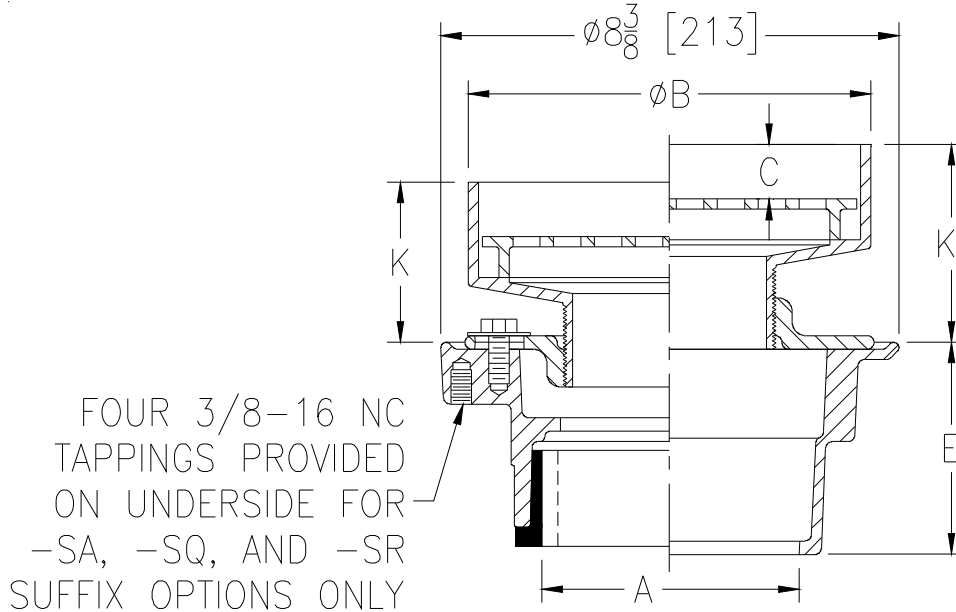
Z415I

BODY ASSEMBLY W/ "TYPE I" STRAINER

SPECIFICATION SHEET

TAG _____

Dimensional Data (inches and [mm]) are Subject to Manufacturing Tolerances and Change Without Notice



| Dimensions In Inches [mm] | | | | | | | Approx. Wt. Lbs. [kg] | Strainer Open Area Sq. In. [cm ²] |
|---------------------------|-----------------|----------|-------------|------------|------------|-------------|-----------------------|---|
| A - Pipe Size | B Strainer Dia. | C | K | | K' | | | |
| | | | Min. | Max. | Min. | Max. | | |
| 2, 3 [51, 76] | 5-7/16 [138] | 7/8 [22] | 1-9/16 [40] | 2-5/8 [67] | 2-1/8 [54] | 3-3/8 [86] | 14 [6] | 8 [52] |
| 2, 3, 4 [51, 76, 102] | 7-3/8 [187] | 1 [25] | 2-9/16 [65] | 3-3/8 [86] | 2-7/8 [73] | 4-1/8 [105] | 19 [9] | 13 [84] |
| 3, 4 [76, 102] | 9 [229] | 1/2 [13] | 2-3/16 [56] | 3-1/8 [79] | 2-5/8 [67] | 3-7/8 [98] | 23 [10] | 23 [148] |
| 6 [152] | 9 [229] | 1/2 [13] | 2-3/16 [56] | 3-1/8 [79] | 2-5/8 [67] | 3-7/8 [98] | 23 [10] | 23 [148] |

ENGINEERING SPECIFICATION: ZURNZN415I

Floor and shower drain, Dura-Coated cast iron body with bottom outlet, combination invertible membrane clamp and adjustable collar with seepage slots and "TYPE I" polished nickel bronze strainer with raised flange.

OPTIONS (Check/specify appropriate options)

PIPE SIZE

2,3,4 [51,76,102]
 2 [51]
 3 [76]
 4 [102]
 6 [152]
 2,3,4 [51,76,102]
 2,3,4 [51,76,102]

(Specify size/type) OUTLET

_____ IC Inside Caulk
 _____ IP Threaded
 _____ IP Threaded
 _____ IP Threaded
 _____ IP Threaded
 _____ NH No-Hub
 _____ NL Neo-Loc

'E' BODY HT. DIM.

4-13/16 [106]
 2-7/16 [62]
 2-3/4 [70]
 2-13/16 [71]
 2-7/8 [73]
 3-13/16 [97]
 3-7/8 [98]

PREFIXES

_____ ZB D.C.C.I. Body Assembly w/ Polished Bronze Top
 _____ ZN D.C.C.I. Body Assembly w/ Polished Nickel Bronze Top*

SUFFIXES

| | | | |
|-----------|--|-----------|--|
| _____ -AR | Acid Resisting Epoxy Coated Cast Iron | _____ -TS | Top Secured with Slotted Screws |
| _____ -G | Galvanized Cast Iron | _____ -U | 1 - 3 [25 - 76] High Extension Adapter |
| _____ -P | Trap Primer Connection (Specify 1/2 [13] or 3/4 [19]) | _____ -V | Backwater Valve |
| _____ -SA | Stabilizer Assembly (See Z1035) | _____ -VP | Vandal-Proof Secured Top |
| _____ -SQ | Stabilizer Q-Deck (See Z1035-Q) | _____ -Y | Sediment Bucket |
| _____ -SR | Stabilizer Ring | _____ -90 | 90° Threaded Side Outlet Body Assembly (2 [51], 3 [76] Only) |
| _____ -TC | Neo-Loc Test Cap Gasket (2, 3, 4 [51, 76, 102] NL Bottom Outlet Only) | | |

* Regularly furnished unless otherwise specified.

Zurn Industries, LLC | Specification Drainage Operation
 1801 Pittsburgh Avenue, Erie, PA U.S.A. 16502 · Ph. 855-663-9876, Fax 814-454-7929
 In Canada | Zurn Industries Limited
 3544 Nashua Drive, Mississauga, Ontario L4V 1L2 · Ph. 905-405-8272, Fax 905-405-1292
www.zurn.com

Rev. N
 Date: 09/26/2017
 C.N. No. 137866
 Prod. | Dwg. No. Z415I