



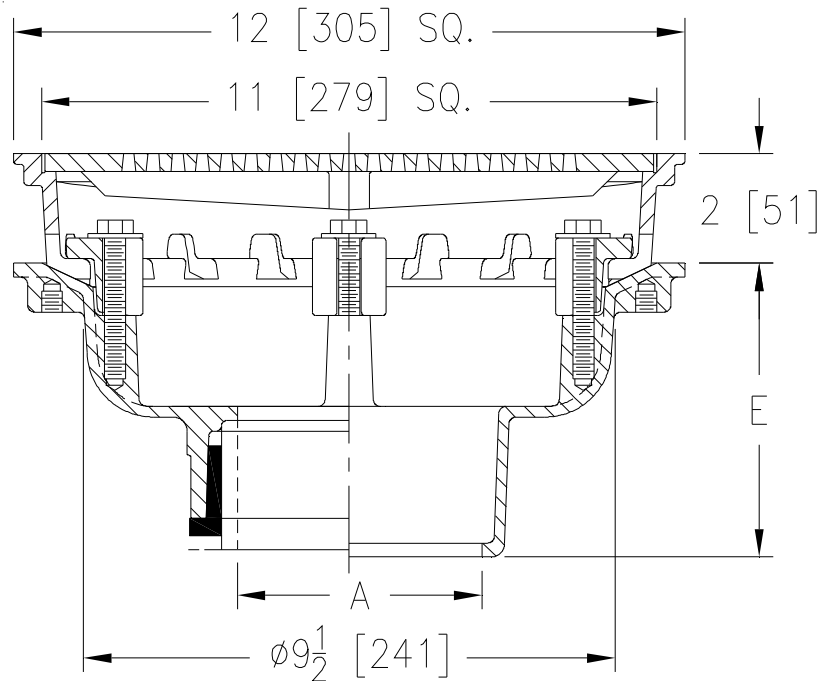
Z154

12 [305] SQUARE TOP PROM-DECK DRAIN W/ HEEL-PROOF GRATE & ROTATABLE FRAME

SPECIFICATION SHEET

TAG _____

Dimensional Data (inches and [mm]) are Subject to Manufacturing Tolerances and Change Without Notice



| A Pipe Size In. [mm] | Approx. Wt. Lbs. [kg] | Grate Open Area Sq. In. [cm ²] |
|-------------------------------|-----------------------------|--|
| 2, 3, 4, 6 [51, 76, 102, 152] | 29 [13] | 34 [219] |

ENGINEERING SPECIFICATION: ZURNZ154

12" [305mm] Square Top Prom-Deck drain, Dura-Coated cast iron body with rotatable light duty square promenade frame with seepage openings, frame clamps and light duty heel-proof grate.

OPTIONS (Check/specify appropriate options)

PIPE SIZE

- 2, 3, 4, 6 [51, 76, 102, 152]
- 2, 3, 4, 6 [51, 76, 102, 152]
- 2, 3, 4, 6 [51, 76, 102, 152]
- 2, 3, 4 [51, 76, 102]

(Specify size/type) OUTLET

- ___ IC Inside Caulk
- ___ IP Threaded
- ___ NH No-Hub
- ___ NL Neo-Loc

'E' BODY HT. DIM.

- 5-1/4 [133]
- 3-3/4 [95]
- 5-1/4 [133]
- 4-9/16 [117]

PREFIXES

- ___ Z D.C.C.I. Body with Top*
- ___ ZB D.C.C.I. Body with Polished Bronze Top (Add 3/16 [5] to 2 [51] Dim & 5/8 [16] to 12 [305] Dim.)
- ___ ZN D.C.C.I. Body with Polished Nickel Bronze Top (Add 3/16 [5] to 2 [51] Dim & 5/8 [16] to 12 [305] Dim.)

SUFFIXES

- | | |
|--|--|
| ___ -AR Acid Resistant Epoxy Coated | ___ -SC Secondary Clamp Collar |
| ___ -C Underdeck Clamp | ___ -TC Neo-Loc Test Cap Gasket (2, 3, 4 [51, 76, 102] NL Bottom Outlet Only) |
| ___ -DG Duresist Grate (Z Only) | ___ -TS Top Secured with Slotted Screws |
| ___ -DP Top-Set® Roof Deck Plate | ___ -VP Vandal-Proof Secured Top |
| ___ -DT Decorative Polished Top (ZB and ZN Only) | ___ -Y Sediment Bucket |
| ___ -E 2 [51] High Static Extension | ___ -85 Stainless Steel Perforated Extension |
| ___ -EB Top-Set® Adjustable Extension Assembly | ___ -90 90° Threaded Side Outlet Body (2, 3, 4 [51, 76, 102]) |
| ___ -G Galvanized Cast Iron | |
| ___ -S Secondary Strainer | |

* Regularly furnished unless otherwise specified.

Zurn Industries, LLC | Specification Drainage Operation
1801 Pittsburgh Avenue, Erie, PA U.S.A. 16502 · Ph. 855-663-9876, Fax 814-454-7929
In Canada | Zurn Industries Limited
3544 Nashua Drive, Mississauga, Ontario L4V 1L2 · Ph. 905-405-8272, Fax 905-405-1292
www.zurn.com

Rev. J
Date: 09/25/2017
C.N. No. 137805
Prod. | Dwg. No. Z154