

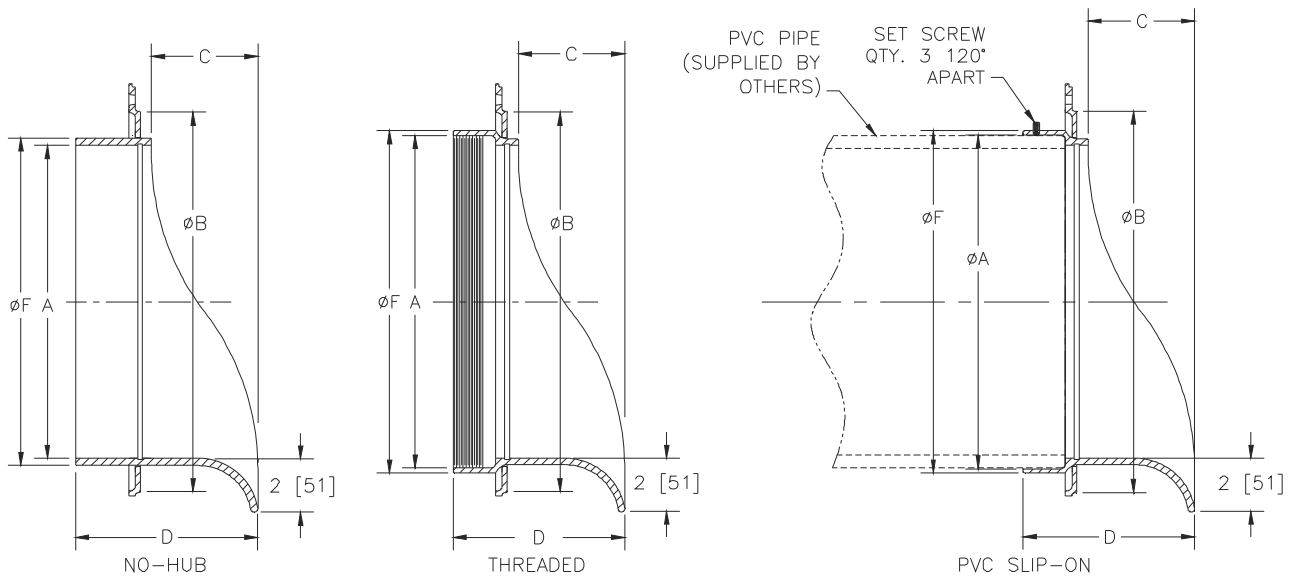


Z199 DOWNSPOUT NOZZLE

SPECIFICATION SHEET

TAG _____

Dimensional Data (inches and [mm]) are Subject to Manufacturing Tolerances and Change Without Notice



Dimensions in inches [mm]							Approx. Wt. Lbs. [kg]
A- Pipe Size	B	C	D		F		
			IP / PVC	NH	IP / PVC	NH	
2 [51]	4-1/2 [114]	2-5/8 [67]	4-1/2 [114]	4-1/2 [114]	2-13/16 [71]	2-3/8 [60]	5 [2]
3 [76]	5-1/2 [140]	2-5/8 [67]	4-1/2 [114]	4-1/2 [114]	3-15/16 [100]	3-3/8 [86]	6 [3]
4 [102]	6-5/8 [168]	2-43/64 [69]	4-1/2 [114]	4-1/2 [114]	4-15/16 [125]	4-3/8 [121]	7 [3]
5 [127]	7-5/8 [194]	3-1/16 [78]	4-59/64 [125]	5-15/32 [139]	6-1/16 [154]	5-5/16 [135]	12 [5]
6 [152]	8-5/8 [219]	3-3/32 [79]	4-59/64 [125]	5-15/32 [139]	7-1/8 [181]	6-5/16 [160]	13 [6]
8 [203]	10-5/8 [270]	2-31/32 [75]	4-59/64 [125]	5-25/32 [147]	9-1/8 [232]	8-3/8 [213]	14 [6]
10 [254]	12-5/8 [321]	3-1/2 [89]	5-53/64 [148]	6-5/16 [160]	11-5/32 [283]	10-9/16 [268]	15 [7]
12 [305]	14-5/8 [371]	4-5/64 [104]	6-13/32 [163]	6-57/64 [175]	13-5/32 [334]	12-1/2 [318]	18 [8]

ENGINEERING SPECIFICATION: ZURN ZANB199

Downspout Nozzle, All nickel bronze body, optional threaded, PVC slip-on, or No-Hub inlet and decorative face of wall flange and outlet nozzle.

OPTIONS (Check/specify appropriate options)

PIPE SIZE

2, 3, 4, 5, 6, 8, 10, 12 [51,76,102,127,152, 203, 254,305]
 2, 3, 4, 5, 6, 8, 10, 12 [51,76,102,127,152, 203, 254,305]
 2, 3, 4, 5, 6, 8, 10, 12 [51,76,102,127,152, 203, 254,305]

(Specify size/type) OUTLET

___ IP Threaded
 ___ NH No-Hub
 ___ PVC PVC Connection

PREFIXES

___ ZANB All Nickel Bronze Body*
 ___ ZAB All Polished Bronze Body
 ___ ZARB All Plain Bronze Body

SUFFIXES

___ -SS Removable Stainless Screen

* Regularly furnished unless otherwise specified.