

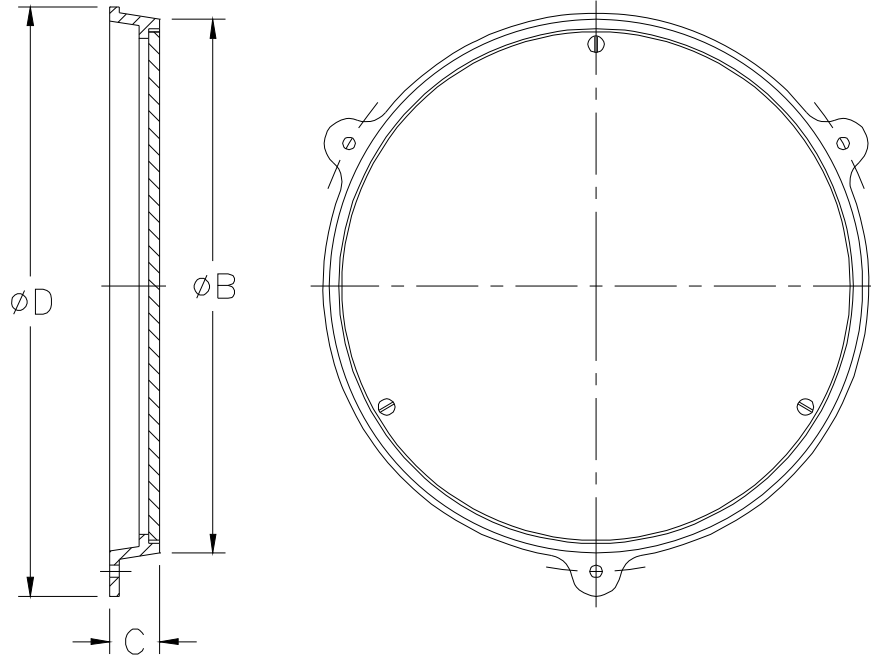


Z1463
ROUND SCORIATED ACCESS COVER

SPECIFICATION SHEET

TAG _____

Dimensional Data (inches and [mm]) are Subject to Manufacturing Tolerances and Change Without Notice



Product Designation	Dimensions in In [mm]				Approx. Wt. Lbs. [kg]
	Nominal Pipe Size	B	C	D	
-7	2,3,4 [51,76,102]	6-5/8 [168]	3/4 [19]	7-1/2 [190]	6 [3]
-11	5,6,8 [127,152,203]	10-3/4 [273]	1 [25]	11-7/8 [302]	12 [5]

ENGINEERING SPECIFICATION: ZURN ZANB1463

Access panel and frame. Round, scoriated, nickel bronze panel secured to frame, set flush to finished wall plane or floor, complete with anchor lugs.

OPTIONS (Check/specify appropriate options)

PREFIXES

- ___ ZAB Bronze with Polished Scoriated Cover
- ___ ZANB Nickel Bronze with Polished Scoriated Cover*

SUFFIXES

- ___ -VP Vandal-Proof Screws

* Regularly furnished unless otherwise specified.