



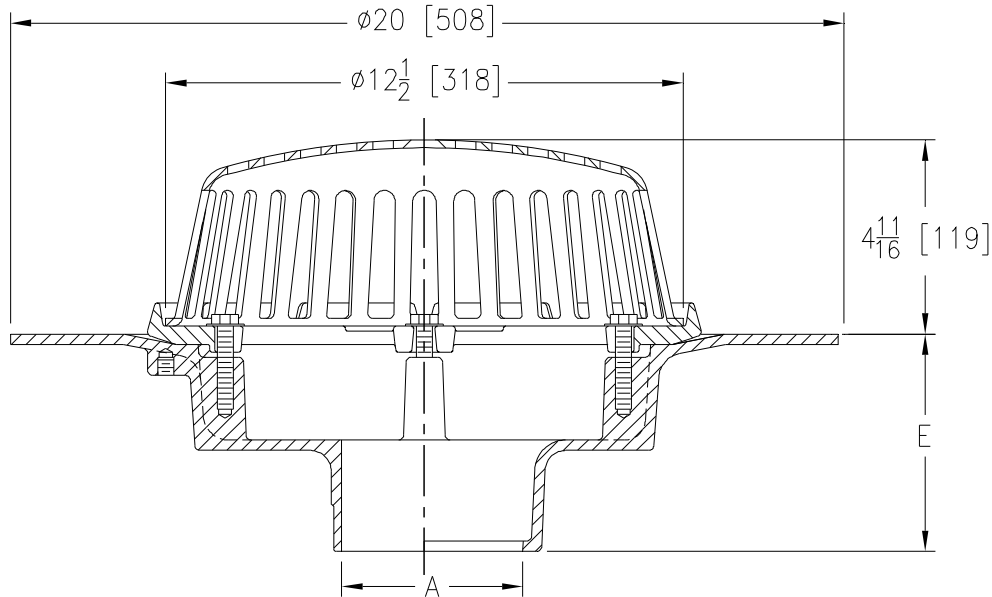
Z107

20 [508] WIDE DECK FLANGE ROOF DRAIN

SPECIFICATION SHEET

TAG _____

Dimensional Data (inches and [mm]) are Subject to Manufacturing Tolerances and Change Without Notice



A Pipe Size In. [mm]	Approx. Wt. Lbs. [kg]	Dome Open Area Sq. In. [cm ²]
3, 4 [76, 102]	39 [18]	103 [665]
6, 8 [152, 203]		

ENGINEERING SPECIFICATION: ZURN Z107

20" [508mm] Diameter wide deck flange roof drain. Dura-Coated cast iron body with combination membrane flashing clamp/gravel guard and low silhouette Poly-Dome.

OPTIONS (Check/specify appropriate options)

PIPE SIZE	(Specify size/type)	OUTLET	E BODY HT. DIM.
3, 4, 6 [76, 102, 152]	___ IC	Inside Caulk	5-1/4 [133]
3, 4 [76, 102]	___ IP	Threaded	5-1/4 [133]
3, 4, 6, 8 [76, 102, 152, 203]	___ NH	No-Hub	5-1/4 [133]

PREFIXES

- ___ Z D.C.C.I. Body with Poly-Dome*
- ___ ZA D.C.C.I. Body with Aluminum Dome
- ___ ZC D.C.C.I. Body with Cast Iron Dome

SUFFIXES

- | | |
|--|---|
| ___ -AC Angular Underdeck Clamp | ___ -VP Vandal-Proof Secured Top |
| ___ -AR Acid Resistant Epoxy Coated | ___ -W2 2 [51] Internal Water Dam |
| ___ -AW 3/4 [19] to 4 [102] Adjustable Water Level Regulator (Specify Ht.) (ZC Only) | ___ -W3 3 [76] Internal Water Dam |
| ___ -C Underdeck Clamp | ___ -W4 4 [102] Internal Water Dam |
| ___ -E Static Extension 1 [25] thru 4 [102] (Specify Ht.) | ___ -84 Stainless Steel Perforated Gravel Guard |
| ___ -EA Adjustable Extension Assembly | ___ -85 Stainless Steel Perforated Extension |
| 2-1/8 [54] thru 3-1/2 [89] | ___ -89 2 [51] High External Water Dam |
| ___ -FG Flush Grate (Replaces Dome Strainer) | |
| ___ -G Galvanized Cast Iron | |
| ___ -SS Stainless Steel Mesh Screen Over Dome | |

* Regularly furnished unless otherwise specified.