



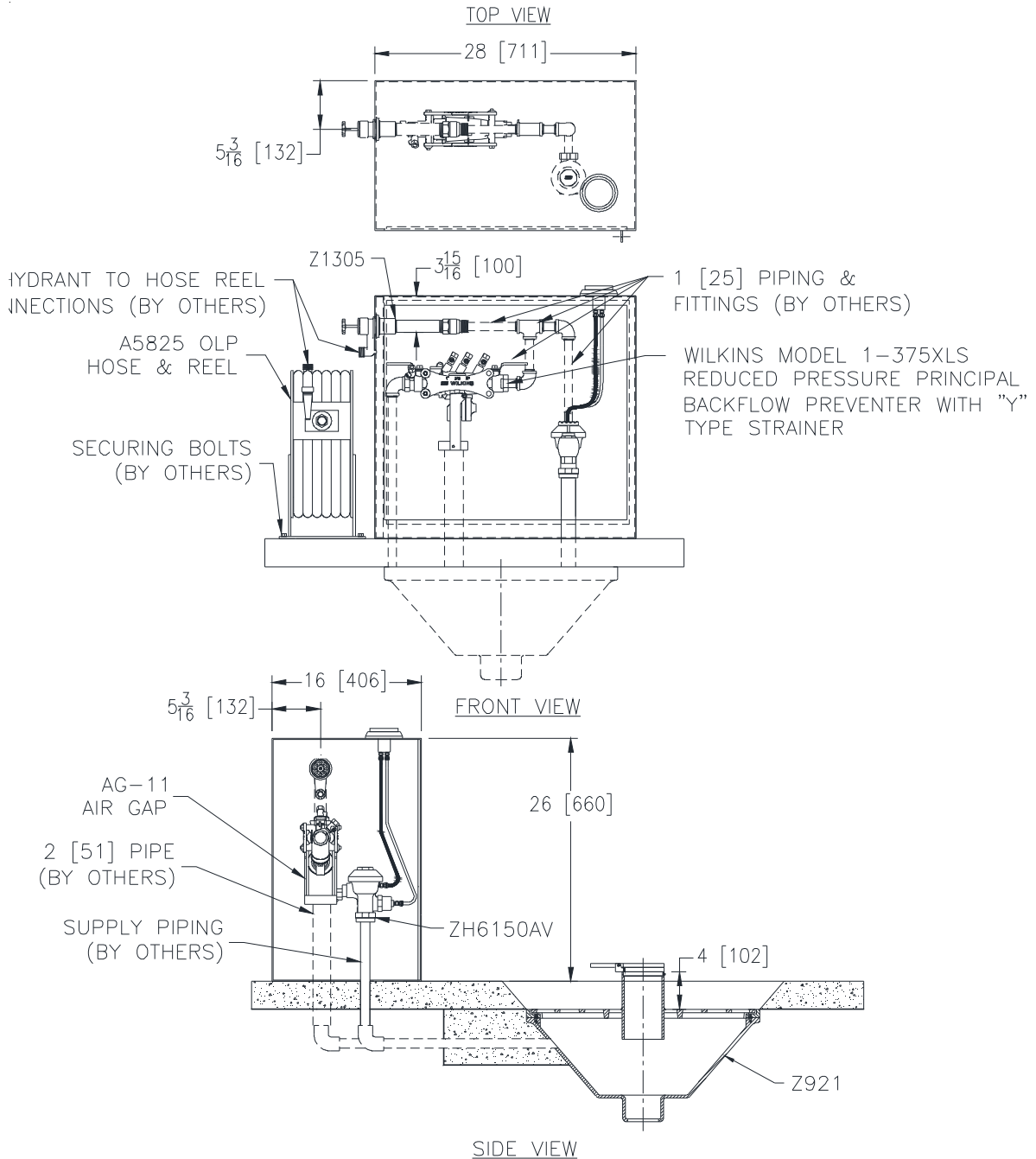
Z920

**RECREATIONAL VEHICLE SANITARY
DUMPING DRAIN**

SPECIFICATION SHEET

TAG _____

Dimensional Data (inches and [mm]) are Subject to Manufacturing Tolerances and Change Without Notice



ENGINEERING SPECIFICATION: ZURN Z920

Sanitary Dump Station, acid resistant epoxy coated fabricated steel box, with non-freeze hydrant (Z1305), 1" [25mm] lead-free reduced pressure principal backflow preventer with "Y" type strainer (375XLS), AG-11 Air Gap, hydraulic actuation operated flush valve (ZH6150AV), hinged front access panel with locking mechanism for securing with pad lock (by others) and hose reel with hose (A5825 OLP). Thoroflush Drain, cast iron body with white acid resistant coated interior and Dura-Coated exterior, bottom outlet, and nickel bronze top frame and grate with flushing connection in body, 4" [102mm] waste receptacle with hinged cover/foot pedal (Z921).

* Regularly furnished unless otherwise specified.

Zurn Industries, LLC | Specification Drainage Operation
1801 Pittsburgh Avenue, Erie, PA U.S.A. 16502 · Ph. 855-663-9876, Fax 814-454-7929
In Canada | **Zurn Industries Limited**
3544 Nashua Drive, Mississauga, Ontario L4V 1L2 · Ph. 905-405-8272, Fax 905-405-1292
www.zurn.com

Rev. F
Date: 09/19/2017
C.N. No. 137747
Prod. | Dwg. No. Z920