



COMBINATION KIT: ONE TRAP, TWO SUPPLY STOP PROTECTORS, AND ONE OFFSET DRAIN PROTECTOR

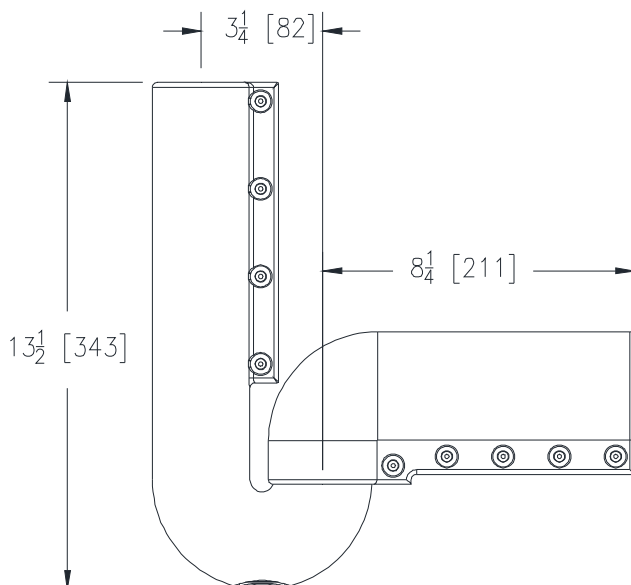
Z8946-3-NT

TAG _____

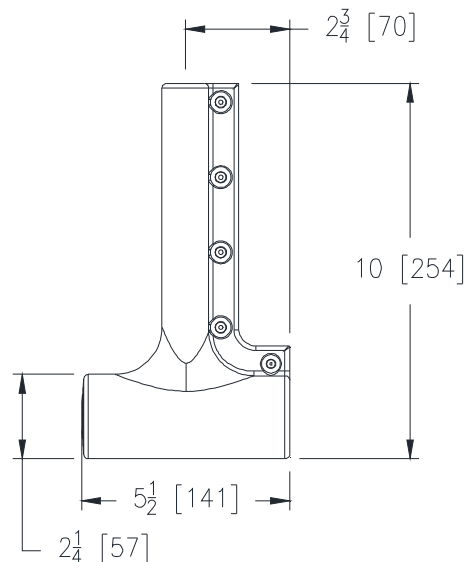


ENGINEERING SPECIFICATION: ZURN Z8946-3-NT Combination Kit: One trap protector, two supply stop protectors and one offset drain protector, satin white PVC resin. Antimicrobial, resists thermal transfer, and is ADA compliant. Trap protector fits both tubular and semi-cast P traps.

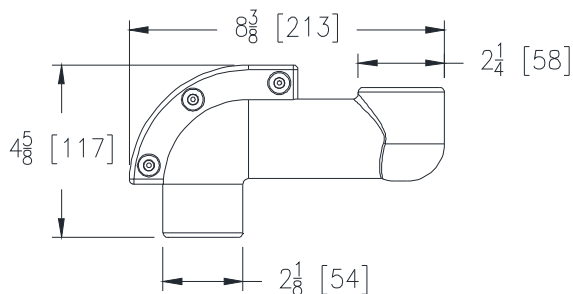
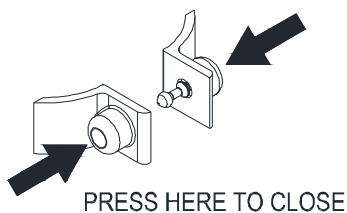
Patent Pending



TRAP PROTECTOR



SUPPLY STOP PROTECTOR



OFFSET DRAIN PROTECTOR

ZURN INDUSTRIES, LLC. ♦ COMMERCIAL BRASS OPERATION ♦ 5900 ELWIN BUCHANAN DRIVE ♦ SANFORD NC 27330

Phone: 1-800-997-3876 ♦ Fax: 919-775-3541 ♦ World Wide Web: www.zurn.com

In Canada: ZURN INDUSTRIES LIMITED ♦ 3544 Nashua Drive ♦ Mississauga, Ontario L4V1L2 ♦ Phone: 905-405-8272 Fax: 905-405-1292