



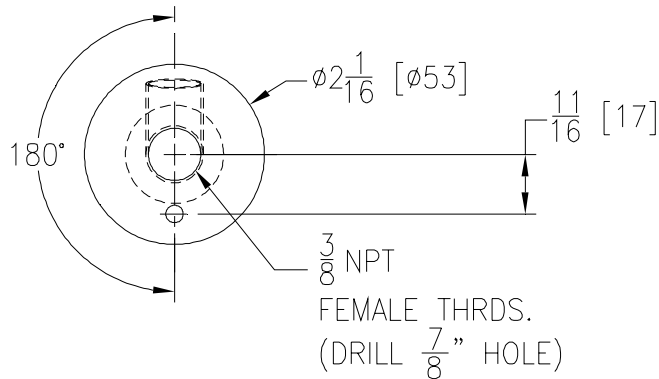
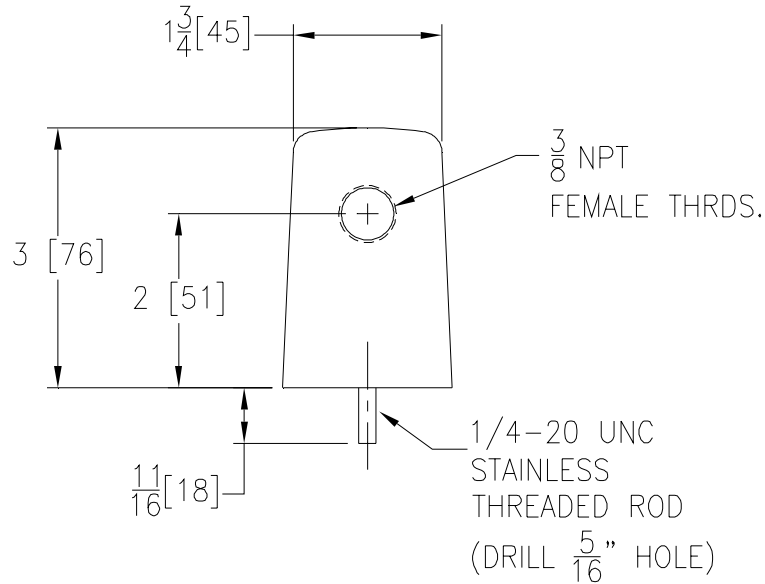
# LABORATORY-GAS VALVE

## Z88000-AR

TAG \_\_\_\_\_

### Engineering Specifications: Zurn AquaSpec® Z88000-AR

A single outlet turret with an anti-rotation pin, and a 3/8" NPT female inlet and outlet. See option list below for desired shank assembly suffix.



Note: All dimensions are for reference only. Do not use for pre-plumbing.

### OPTIONAL ACCESSORIES

Suffix	Description
___-SK	Shank 3/8" Male x 3" Male with Hardware
___-SK1	Shank 3/8" Male x 4-3/4" Male with Hardware

ZURN INDUSTRIES, LLC ♦ COMMERCIAL BRASS OPERATION ♦ 2640 SOUTH WORK STREET ♦ FALCONER NY 14733

Phone: 1-716-665-1132 ♦ Fax: 1-716-665-1135 ♦ World Wide Web: www.zurn.com

In Canada: ZURN INDUSTRIES LIMITED ♦ 3544 Nashua Drive ♦ Mississauga, Ontario L4V1L2 ♦ Phone: 905/405-8272 Fax: 905/405-1292