



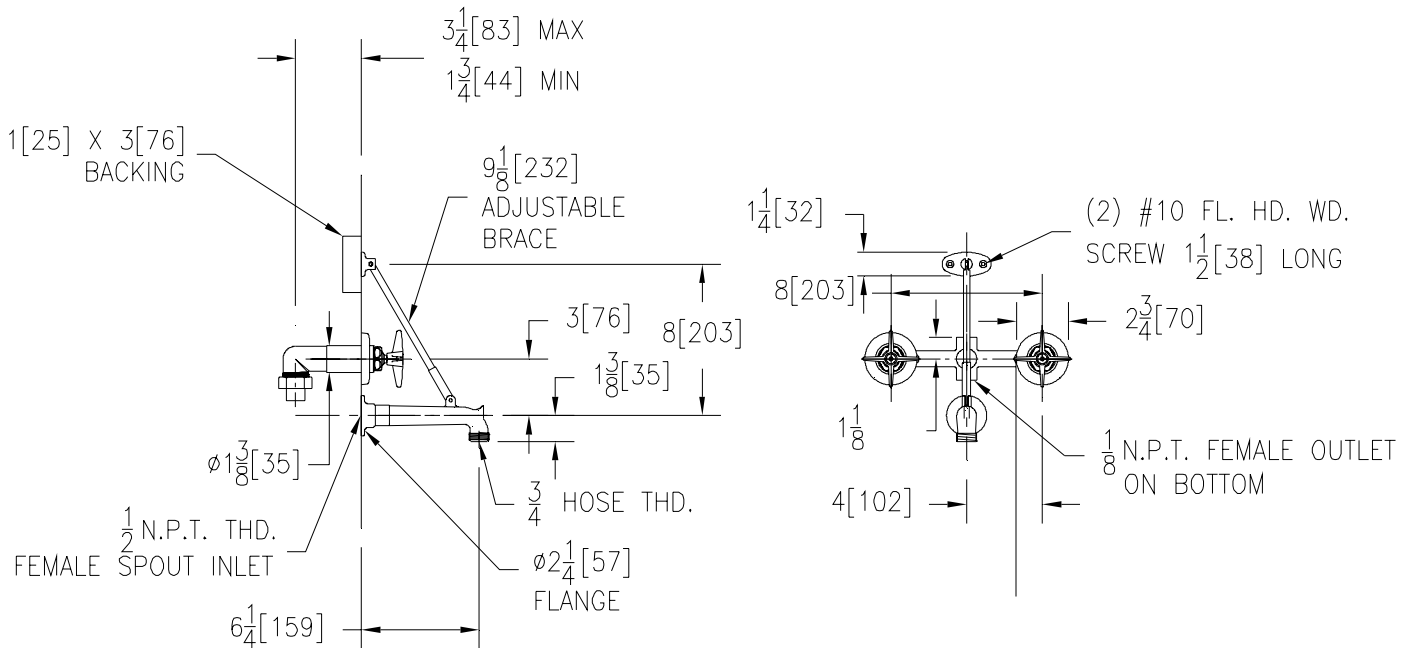
# CLINICAL SERVICE SINK FAUCET Z873E2

TAG \_\_\_\_\_



### Engineering Specification: Zurn AquaSpec® Z873E2

Concealed two valve cast brass 8" [203mm] clinical service sink faucet with quarter-turn ceramic disc cartridges, a wall mounted 6-1/4" [159mm] centerline polished chrome plated cast brass spout with a 3/4" hose-threaded outlet, a pail hook and a top wall brace. Unit is furnished with vandal resistant color-coded metal four arm handles.



Note: All dimensions are for reference only. Do not use for pre-plumbing

### OPTIONAL ACCESSORIES

Suffix	Description
— -CS	Inline Check Stops
— -HCT	Hot/Cold Text Indexes
— -IS	Integral Stops
— -WHK	Wall Hook
— -5H	5' [152cm] Vinyl Hose

ZURN INDUSTRIES, LLC ♦ COMMERCIAL BRASS OPERATION ♦ 2640 SOUTH WORK STREET ♦ FALCONER NY 14733

Phone: 1-716-665-1132 ♦ Fax: 1-716-665-1135 ♦ World Wide Web: [www.zurn.com](http://www.zurn.com)

In Canada: ZURN INDUSTRIES LIMITED ♦ 3544 Nashua Drive ♦ Mississauga, Ontario L4V1L2 ♦ Phone: 905/405-8272 Fax: 905/405-1292