

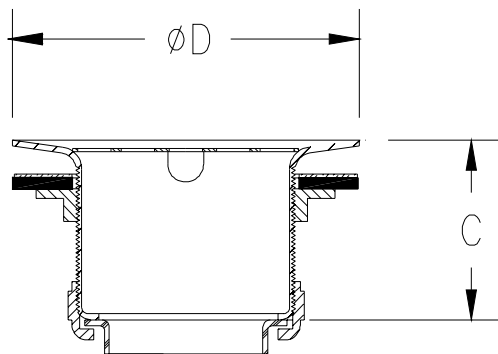


# DUPLEX SINK STRAINER

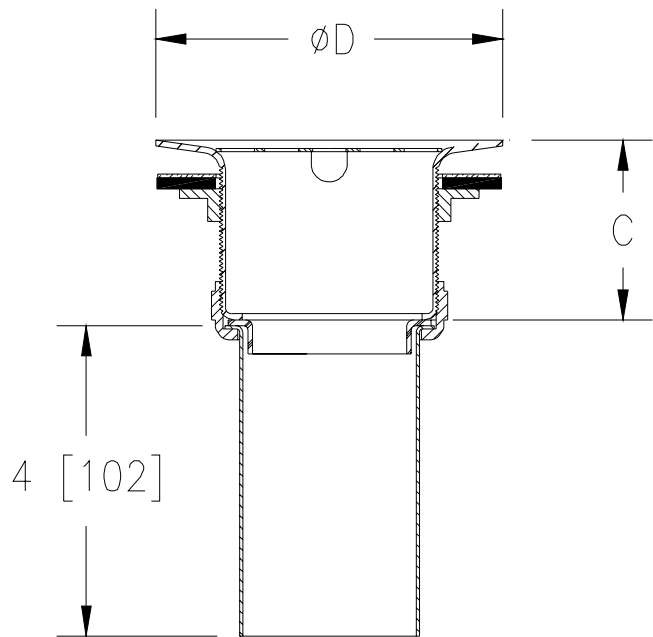
## Z8737LBN-PC, Z8737LTLBN-PC

TAG \_\_\_\_\_

**Engineering Specification:** Zurn Z8737LBN-PC, Z8737LTLBN-PC - Chrome-plated wrought brass sink strainer with die-cast lock nut for sink depth up to 3/4[19].



Z8737LTLBN-PC



Z8737LBN-PC

| PRODUCT NUMBER | DIMENSIONS |           | MASTER CARTON | TAILPIECE GAUGE | DESCRIPTION |
|----------------|------------|-----------|---------------|-----------------|-------------|
|                | C in[mm]   | ØD in[mm] |               |                 |             |
| Z8737LBN-PC    | 1 3/4[44]  | 2 7/8[73] | 24            | 20              | WITH TPC    |
| Z8737LTLBN-PC  | 1 3/4[44]  | 2 7/8[73] | 48            | NA              | LESS TPC    |

Note: All dimensions are for reference only. Do not use for pre-plumbing

### OPTIONAL ACCESSORIES

#### Suffix Description

No Options Required

ZURN INDUSTRIES, INC. ♦ COMMERCIAL BRASS OPERATION ♦ 2640 SOUTH WORK STREET ♦ FALCONER NY 14733

Phone: 1-716-665-1132 ♦ Fax: 1-716-665-1135 ♦ World Wide Web: [www.zurn.com](http://www.zurn.com)

In Canada: ZURN INDUSTRIES LIMITED ♦ 3544 Nashua Drive ♦ Mississauga, Ontario L4V1L2 ♦ Phone: 905/405-8272 Fax: 905/405-1292