



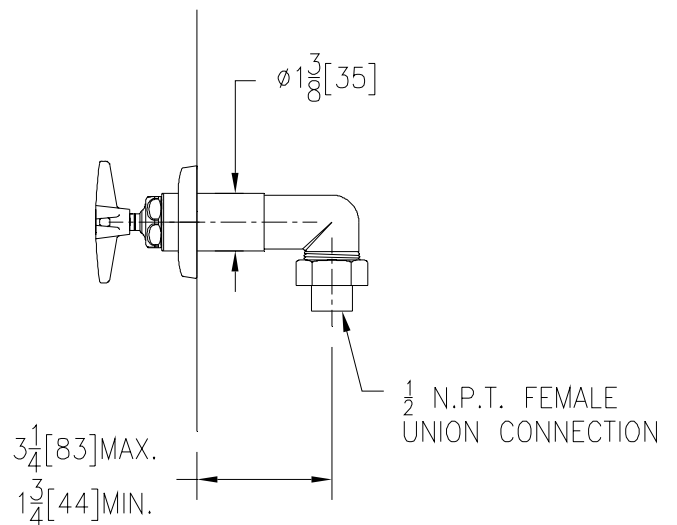
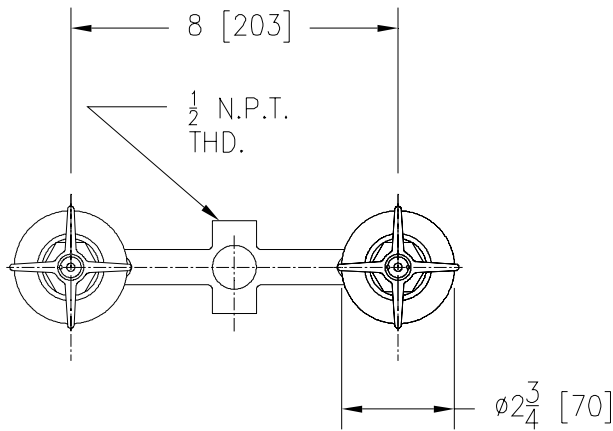
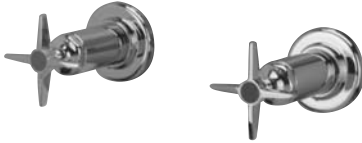
# SHOWER VALVE

## Z87302

TAG \_\_\_\_\_

### Engineering Specifications: Zurn AquaSpec® Z87302

Concealed two valve cast brass 8" [203mm] shower valve with quarter-turn ceramic disc cartridges and vandal-resistant color-coded metal four arm handles.



Note: All dimensions are for reference only. Do not use for pre-plumbing

### OPTIONAL ACCESSORIES

Suffix	Description
___-CS	Inline Check Stops
___-HCT	Hot/Cold Text Indexes
___-IS	Integral Stops
___-SE	Outlet Forward For Mounting With Supply Ell

ZURN INDUSTRIES, LLC ♦ COMMERCIAL BRASS OPERATION ♦ 2640 SOUTH WORK STREET ♦ FALCONER NY 14733

Phone: 1-716-665-1132 ♦ Fax: 1-716-665-1135 ♦ World Wide Web: [www.zurn.com](http://www.zurn.com)

In Canada: ZURN INDUSTRIES LIMITED ♦ 3544 Nashua Drive ♦ Mississauga, Ontario L4V1L2 ♦ Phone: 905/405-8272 Fax: 905/405-1292