

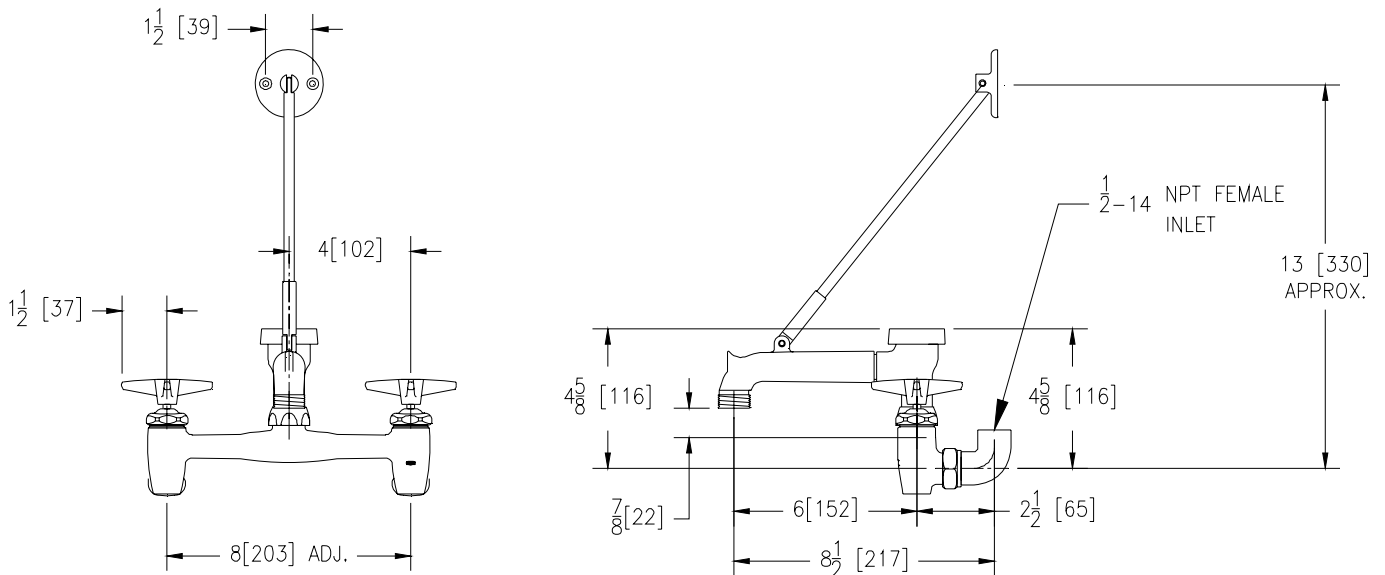


SINK FAUCET Z843M2-90-CS

TAG _____

Engineering Specifications: Zurn AquaSpec® Z843M2-90-CS

Polished chrome-plated cast brass 8" [203mm] sink faucet with quarter turn ceramic disc cartridges, 1/2" NPT female 90° inlets, check stops, integral service stops and a 6" [152mm] centerline cast brass spout with chemical resistant vacuum breaker, 3/4" hose threaded outlet, pail hook and adjustable wall brace. Unit is furnished with vandal-resistant color-coded metal four arm handles. (Note: Atmospheric vacuum breaker not intended for continuous pressure applications.)



Note: All dimensions are for reference only. Do not use for pre-plumbing

OPTIONAL ACCESSORIES

Suffix	Description
___-RC	Rough Chrome Plated
___-WHK	Wall Hook
___-5H	5' [152cm] Vinyl Hose

ZURN INDUSTRIES, LLC ♦ COMMERCIAL BRASS OPERATION ♦ 2640 SOUTH WORK STREET ♦ FALCONER NY 14733

Phone: 1-800-997-3876 ♦ Fax: 1-919-775-3541 ♦ www.zurn.com

In Canada: ZURN INDUSTRIES LIMITED ♦ 3544 Nashua Drive ♦ Mississauga, Ontario L4V1L2 ♦ Phone: 905/405-8272 Fax: 905/405-1292