



Z842D6-LSI-2XT

Clinical Service Sink Faucet

TAG _____

Architectural/Engineering Specification:

Polished chrome-plated cast brass 8" clinical service sink faucet with quarter-turn ceramic disc cartridges, 3" long swivel inlets (with integral stops) providing adjustable centers from 2 3/4" to 13" and a 6" centerline cast brass vacuum breaker spout with an integral 3/4" hose threaded outlet, a pail hook and a forked bottom brace. Unit is furnished with 6" vandal-resistant color-coded metal wrist blade handles. (Note: Atmospheric vacuum breaker not intended for continuous pressure applications.)

Zurn Lead Free products (-XL) is the line of durable, high quality brass faucets and fixtures that are designed and manufactured to comply with Section 1417 of the Safe Drinking Water Act (SDWA) which mandates the weighted average lead content of no more than 0.25% of the wetted surface.

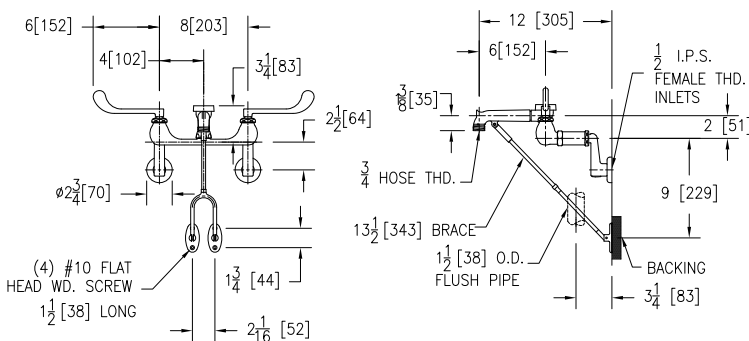
Product Features:

- 6" Cast Vacuum Breaker Spout with Bottom Support and Pipe Brace, Threaded Outlet and Pail Hook
- 6" Vandal Resistant Color Coded Wrist Blade Handles
- Heavy-duty Quarter Turn Ceramic Disc Cartridge
- Chrome-plated Cast Brass Body
- Adjustable centers from 7-1/4" to 8-3/4"
- 2-1/2" Long Swivel Inlets with Integral Stops
- 2" Extension for Service Sink Faucets



Suffix Options:

- CS Check Stop
- RC Rough Chrome Plated
- WHK Wall Hook
- 5H 5' [152cm] Vinyl Hose
- PE Plain End



Rough-in/Overview dimensions

Compliance and Certification:

- ADA Compliant



ZURN INDUSTRIES, LLC 511 W. Freshwater Way, Milwaukee, WI U.S.A. 53204 · Ph. 1-855-ONE-ZURN, Fax 919-775-3541

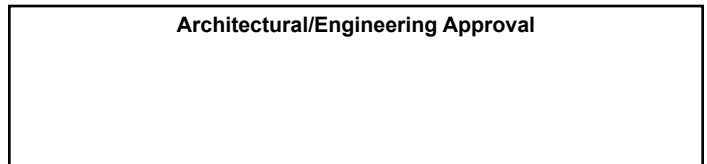
In Canada: ZURN INDUSTRIES LIMITED 7900 Goreway Drive, Unit 10, Brampton, Ontario L6T 5W6, Ph. 905-405-8272, Fax 905-405-1292

Rev. A

Date: 04/19/19

C.N. No. NEW

Prod. | Dwg. No. SS Z842D6-LSI-2XT



The information contained in this document is subject to change without notice. Please contact Zurn for most up to date information.

Meets the American Disabilities Guidelines and ANSI A117.1 requirements when installed according to these requirements.

In Canada - Consult local codes and standards.



US 1.855.ONE.ZURN CANADA 1.905.405.8272 ZURN.COM