



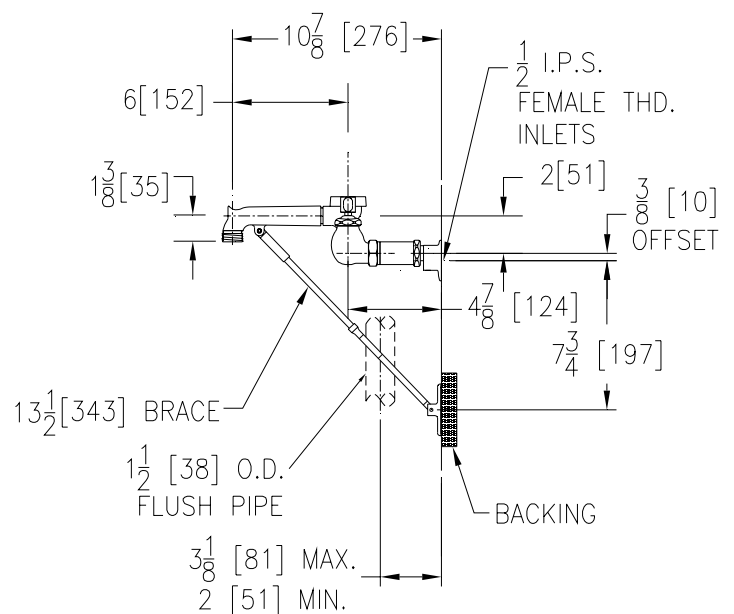
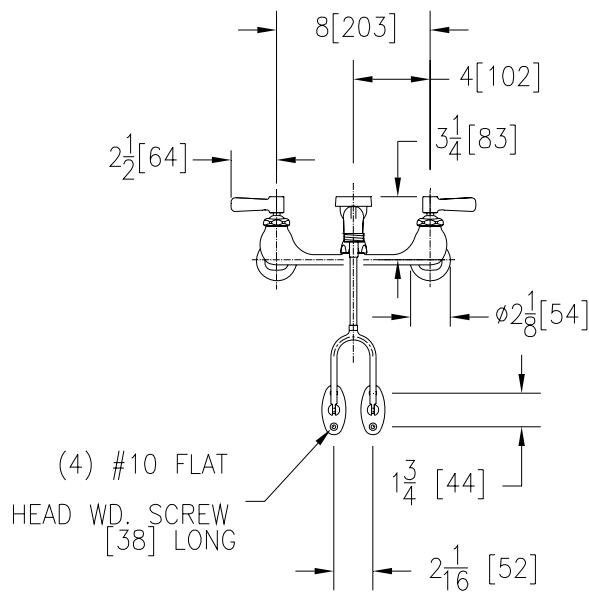
SINK FAUCET

Z842D1-2XT

TAG _____

Engineering Specification: Zurn AquaSpec® Z842D1-2XT

Polished chrome-plated cast brass 8" [203mm] sink faucet with quarter turn ceramic disc cartridges, 3/8" [10mm] short swivel inlets providing adjustable centers from 7-1/4" [184mm] to 8-3/4" [2220mm] with a 2" [51mm] extension and a 6" [152mm] centerline cast brass vacuum breaker spout with integral 3/4" [19mm] hose-thread outlet with pail hook and a forked bottom brace. Unit is furnished with 2-1/2" [64mm] vandal-resistant color-coded metal lever handles. (Note: Atmospheric vacuum breaker not intended for continuous pressure applications.)



Note: All dimensions are for reference only. Do not use for pre-plumbing

OPTIONAL ACCESSORIES

| Suffix | Description |
|--------|-----------------------|
| — -HCT | Hot/Cold Text Indexes |
| — -RC | Rough Chrome Plated |
| — -WHK | Wall Hook |
| — -5H | 5' [152cm] Vinyl Hose |

ZURN INDUSTRIES, LLC ♦ COMMERCIAL BRASS OPERATION ♦ 2640 SOUTH WORK STREET ♦ FALCONER NY 14733

Phone: 1-800-997-3876 ♦ Fax: 1-919-775-3541 ♦ www.zurn.com

In Canada: ZURN INDUSTRIES LIMITED ♦ 3544 Nashua Drive ♦ Mississauga, Ontario L4V1L2 ♦ Phone: 905/405-8272 Fax: 905/405-1292