



**WIDESPREAD**

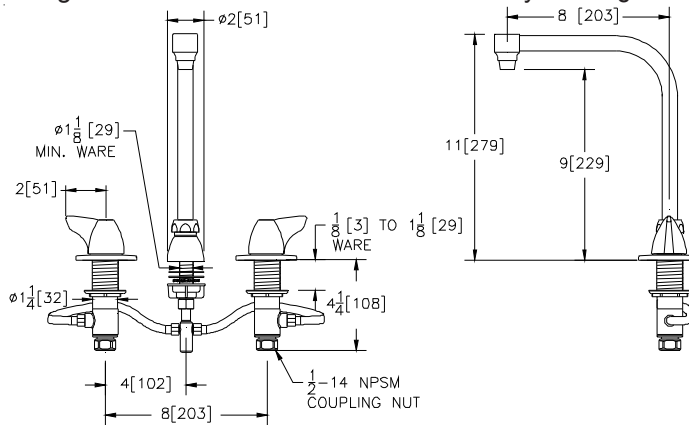
**Z831S3-XL  
TAG**



**Engineering Specifications: Zurn AquaSpec® Z831S3-XL**

Polished chrome-plated widespread with adjustable centers from 6" [152mm] to 20" [508mm], an 8" [203mm] bent riser spout and quarter turn ceramic disc cartridges. Unit is furnished with a 2.2 GPM [8.3 L] pressure compensating aerator (complying with ANSIA112.18.1 Standard for flow), 2" [51mm] vandal-resistant color-coded metal dome lever handles, mounting hardware and 1/2" NPSM coupling nuts for standard lavatory risers. Widespread accommodates installations up to 1-1/8" [29mm] thick.

Zurn Lead Compliant\* "XL" products are a line of durable, high quality brass faucets and fixtures that are designed and manufactured to comply with state laws and local codes that mandate lead content levels. Zurn "XL" products are manufactured with \*not more than 0.25% lead content when used with respect to wetted surfaces of pipes and pipe fittings, plumbing fitting and fixtures: California Health & Safety Code § 116875; Vermont 9 VCA § 2470h



Note: All dimensions are for reference only. Do not use for pre-plumbing

**OPTIONAL ACCESSORIES**

Suffix	Description
___-85	85 Degree Restricted Swing Spout
___-G	1-1/4" [32mm] Grid Strainer Drain
___-GH	1-1/4" [32mm] Offset Handicap Grid Drain
___-HCT	Hot/Cold Text Indexes
___-HS	Hose and Spray
___-ICT	Inter-connecting Copper Supply Tubes for 8" In-line Centers
___-P	1-1/4"[32mm] Pop-up Drain
___-PT	1-1/4"[32mm] Cast Brass P-Trap with a 7-1/2" [191mm] Long 17-Gauge Wall Bend
___-2M	2.2 GPM [8.3 L] Vandal-Resistant Pressure Compensating Male Aerator
___-3M	.5 GPM [1.9 L] Vandal-Resistant Pressure Compensating Male Spray Outlet
___-4M	2.2 GPM [8.3 L] Vandal-Resistant Pressure Compensating Male Laminar Flow Outlet
___-5M	2.0 GPM [7.6 L] Male Spray Outlet
___-7M	1.0 GPM [3.8 L] Pressure Compensating Male Spray Outlet
___-11M	Male Threaded Single Screen Outlet
___-15M	Male Full Flow Outlet
___-16M	1.0 GPM [3.8 L] Vandal Resistant Pressure Compensating Male Spray Outlet
___-17M	1.5 GPM [5.7 L] Vandal Resistant Pressure Compensating Male Aerator
___-18M	1.5 GPM [5.7 L] Vandal Resistant Pressure Compensating Male Laminar Flow Outlet
___-19M	1.5 GPM [5.7 L] Anti-Microbial Pressure Compensating Male Laminar Flow Outlet
___-21M	1.0 GPM [3.8L] Pressure Compensating Male Laminar Flow Outlet
___-22M	1.0 GPM [3.8L] Pressure Compensating Vandal-Resistant Male Laminar Flow Outlet
___-23M	1.5 GPM [5.7L] Pressure Compensating Male Aerator

ZURN INDUSTRIES, LLC. ♦ COMMERCIAL BRASS OPERATION ♦ 5900 ELWIN BUCHANAN DRIVE ♦ SANFORD NC 27330

Phone: 1-800-997-3876 ♦ Fax: 919-775-3541 ♦ World Wide Web: www.zurn.com

In Canada: ZURN INDUSTRIES LIMITED ♦ 3544 Nashua Drive ♦ Mississauga, Ontario L4V1L2 ♦ Phone: 905-405-8272 Fax: 905-405-1292