



4" CENTERSET GOOSENECK

Z812G6-XL

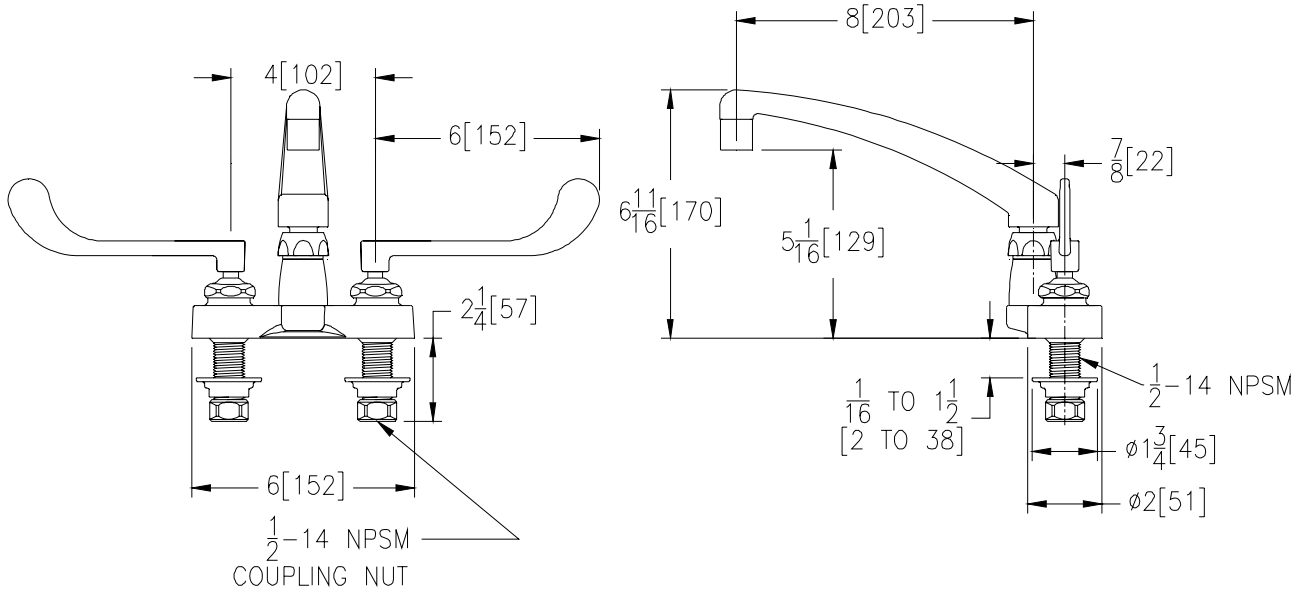
TAG _____



Engineering Specifications: Zurn AquaSpec® Z812G6-XL

Polished chrome-plated cast brass faucet body with integral shanks, quarter turn ceramic disc cartridges and a 8" [203mm] cast brass swing spout. Unit is furnished with a 2.2 GPM [8.3 L] pressure compensating aerator (complying with ANSI A112.18.1 Standard for flow), 6" [152mm] vandal-resistant color-coded metal wrist blade handles, mounting hardware and 1/2" NPSM coupling nuts for standard lavatory risers.

Zurn Lead Compliant* "XL" products are a line of durable, high quality brass faucets and fixtures that are designed and manufactured to comply with state laws and local codes that mandate lead content levels. Zurn "XL" products are manufactured with *not more than 0.25% lead content when used with respect to wetted surfaces of pipes and pipe fittings, plumbing fitting and fixtures: California Health & Safety Code § 116875; Vermont 9 VCA § 2470h.



Note: All dimensions are for reference only. Do not use for pre-plumbing

OPTIONAL ACCESSORIES

Suffix	Description
— -G	1-1/4" [32mm] Grid Strainer Drain
— -HCT	Hot/Cold Text Indexes
— -P	1-1/4" [32mm] Pop-up Drain
— -PT	1-1/4" [32mm] Cast Brass P-Trap with a 7-1/2" [191mm] Long 17-Gauge Wall Bend
— -2F	2.2 GPM [8.3 L] Vandal-Resistant Pressure Compensating Female Aerator
— -3F	0.5 GPM [1.9 L] Vandal-Resistant Pressure Compensating Female Spray Outlet
— -4F	2.2 GPM [8.3 L] Vandal-Resistant Pressure Compensating Female Laminar Flow Outlet
— -7F	1.0 GPM [3.8 L] Pressure Compensating Female Spray Outlet
— -16F	1.0 GPM [3.8 L] Vandal Resistant Pressure Compensating Female Spray Outlet
— -17F	1.5 GPM [5.7 L] Vandal Resistant Pressure Compensating Female Aerator
— -18F	1.5 GPM [5.7 L] Vandal Resistant Pressure Compensating Female Laminar Flow
— -19F	1.5 GPM [5.7 L] Anti-Microbial Pressure Compensating Female Laminar Flow Outlet
— -21F	1.0 GPM [3.8L] Female Laminar Flow Outlet
— -22F	1.0 GPM [3.8L] Vandal-Resistant Female Laminar Flow Outlet
— -23F	1.5 GPM [5.7L] Pressure Compensating Female Aerator



ZURN INDUSTRIES, LLC ♦ COMMERCIAL BRASS OPERATION ♦ 2640 SOUTH WORK STREET ♦ FALCONER NY 14733

Phone: 1-800-997-3876 ♦ Fax: 1-919-775-3541 ♦ www.zurn.com

In Canada: ZURN INDUSTRIES LIMITED ♦ 3544 Nashua Drive ♦ Mississauga, Ontario L4V1L2 ♦ Phone: 905/405-8272 Fax: 905/405-1292