



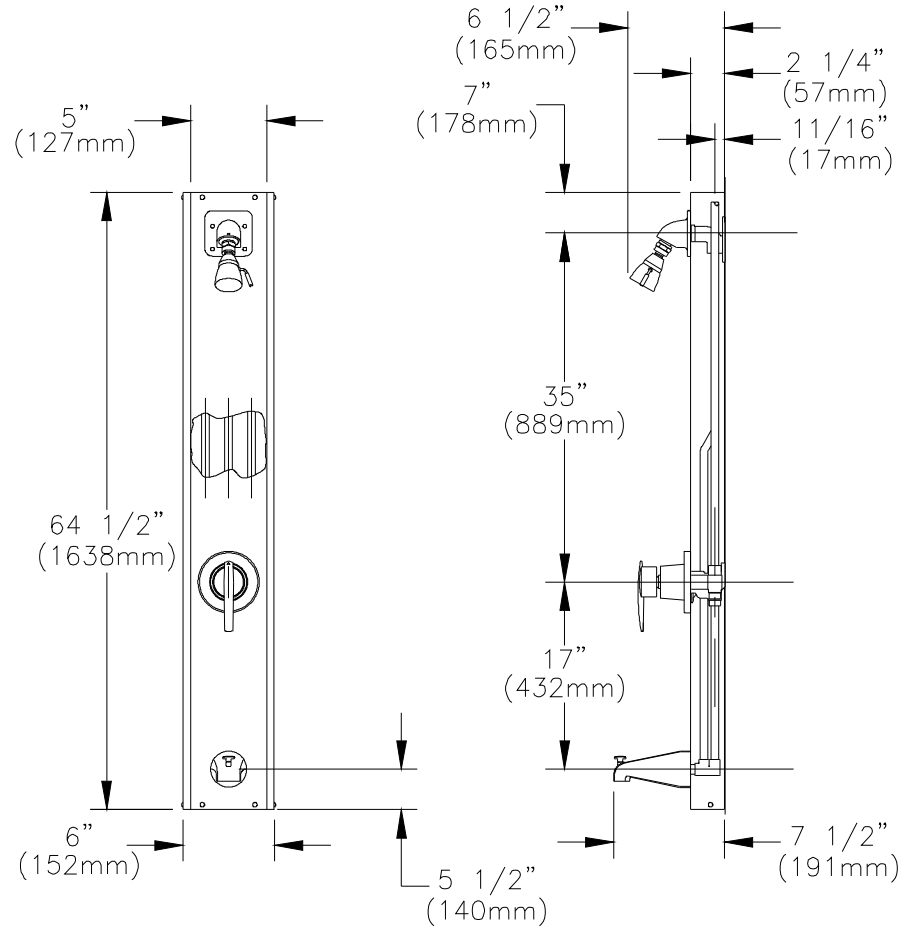
# AQUA-PANEL TUB & SHOWER UNIT

## Z7500-TS

TAG \_\_\_\_\_



**ENGINEERING SPECIFICATION: ZURN Z7500-TS** - Prefabricated stainless steel tub & shower unit, consisting of the TEMP-GARD pressure balancing shower valve with single bronze stem, stainless steel balancing piston, & bottom access integral service stops. Unit includes: metal slip-on tub spout with diverter. Standard with 1/2" copper tubing assembly enclosed by 18 gage stainless steel #4 brushed finish shroud, chrome plated brass shower head with flow control on institutional bracket, metal stem handle, & all vandal proof securing screws.



Note: All dimensions are for reference only. Do not use for pre-plumbing

### OPTIONS (Check/specify appropriate options)

Suffix	Description
___ TC	Matching Shroud Extension to Cover thru Ceiling Piping (Specify extension height)
___ TH	Matching Shroud Cover for Concealed Horizontal Piping (Application dwgs available for custom installations)
___ 16	16 Gage Stainless Steel Shroud
___ 14	14 Gage Stainless Steel Shroud

### STANDARDS

Tested to meet the following standard for valves and plumbing fittings:  
 Shower Heads meet ANSI A112.18.1  
 Valve meets ASSE 1016 - 2005.



ZURN INDUSTRIES, LLC ♦ COMMERCIAL BRASS OPERATION ♦ 2640 SOUTH WORK STREET ♦ FALCONER NY 14733

Phone: 1-800-997-3876 ♦ Fax: 1-919-775-3541 ♦ www.zurn.com

In Canada: ZURN INDUSTRIES LIMITED ♦ 3544 Nashua Drive ♦ Mississauga, Ontario L4V1L2 ♦ Phone: 905/405-8272 Fax: 905/405-1292