



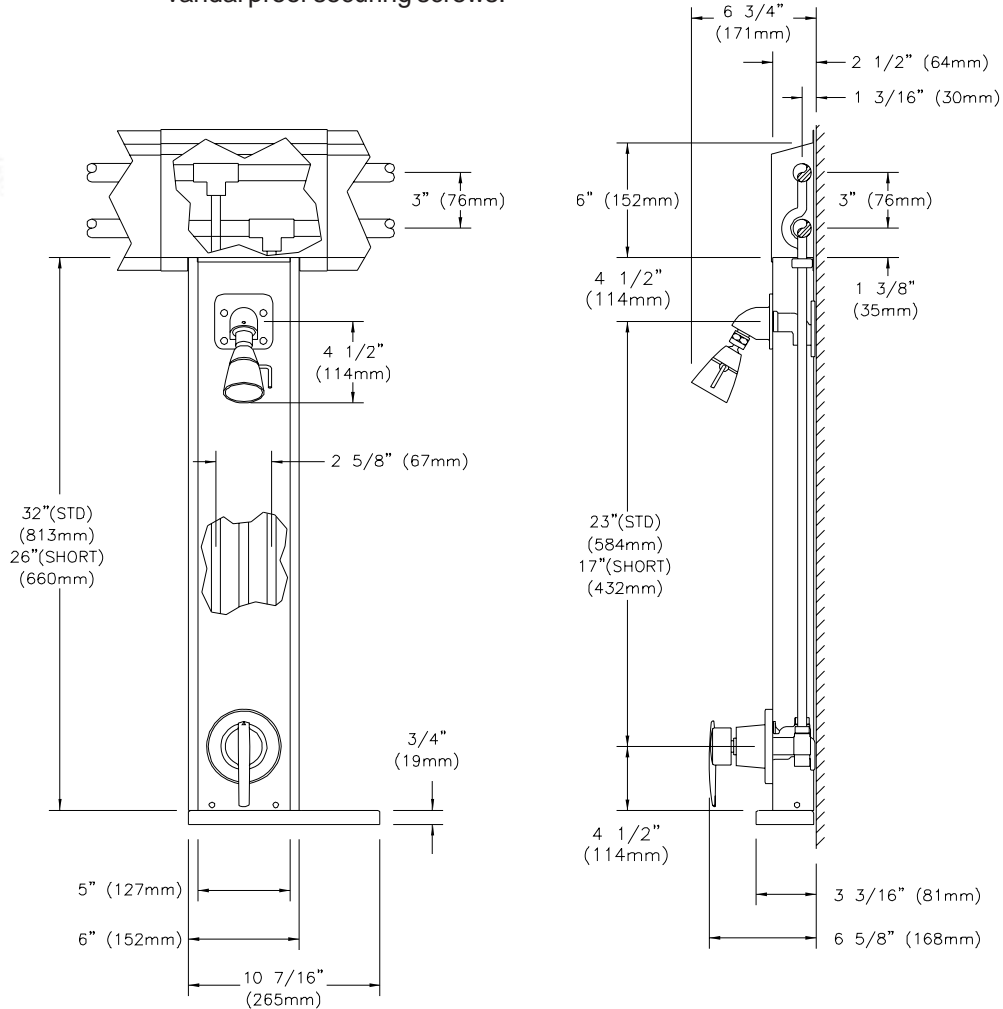
# AQUA-PANEL SHOWER UNIT

## Z7500-TH

### TAG \_\_\_\_\_



**ENGINEERING SPECIFICATION:** ZURN Z7500-TH Prefabricated stainless steel shower unit, consisting of the TEMP-GARD pressure balancing shower valve with single bronze stem, stainless steel balancing piston & bottom access integral service stops. Standard with 1/2" copper tubing assembly enclosed by 18 gage stainless steel #4 brushed finish shroud, 18 gage #4 finish horizontal piping cover with adjustable shroud cap, chrome plated brass shower head with flow control on institutional bracket, metal stem handle, side mount soap dish & all vandal proof securing screws.



Note: All dimensions are for reference only. Do not use for pre-plumbing

#### OPTIONAL ACCESSORIES

Suffix	Description
__ LS	Less Soap Dish
__ i2	Fixed Spray Institutional Shower Head (Other Institutional Shower Heads Available)
__ 14	14 Gage Stainless Steel Shroud
__ 16	16 Gage Stainless Steel Shroud

#### STANDARDS

Designed to meet the following standard for valves and plumbing fittings:  
ASME A112.18.1/CSA B125.1  
Valve meets ASSE 1016 - 2005.



ZURN INDUSTRIES, LLC ♦ COMMERCIAL BRASS OPERATION ♦ 2640 SOUTH WORK STREET ♦ FALCONER NY 14733

Phone: 1-800-997-3876 ♦ Fax: 1-919-775-3541 ♦ www.zurn.com

In Canada: ZURN INDUSTRIES LIMITED ♦ 3544 Nashua Drive ♦ Mississauga, Ontario L4V1L2 ♦ Phone: 905/405-8272 Fax: 905/405-1292