



# AQUA-PANEL SHOWER UNIT

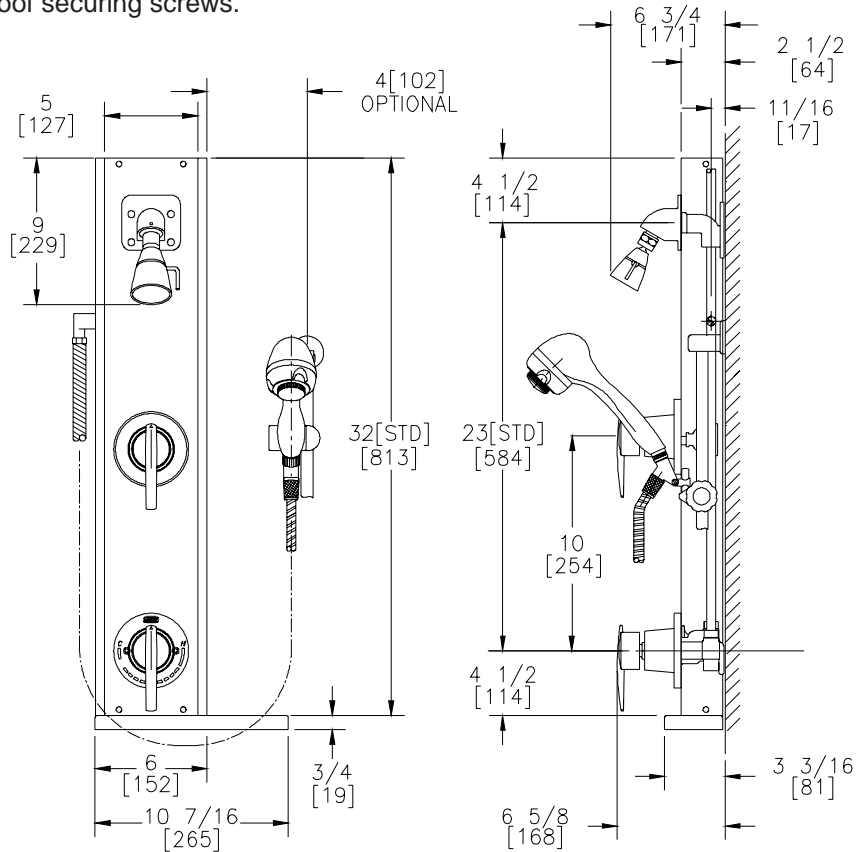
## Z7500-DV-HW

### TAG



#### ENGINEERING SPECIFICATIONS: ZURN Z7500-DV-HW

Prefabricated stainless steel shower unit, consisting of the TEMP-GARD pressure balancing shower valve with single bronze stem, stainless steel balancing piston, & bottom access integral service stops. Unit includes: two way diverter valve w/handwall shower unit complete with 24" [610mm] mounting bar unit, 60" [1524mm] metal hose and standard handset, standard with 1/2" copper tubing assembly enclosed by 18 gage stainless steel #4 brushed finish shroud, chrome plated brass shower head with flow control on institutional bracket, metal stem handles, side mount soap dish, & all vandal proof securing screws.



Note: All dimensions are for reference only. Do not use for pre-plumbing

#### OPTIONS (Check/specify appropriate options)

Suffix	Description
__ - HW	Handwall Units (See Z7000-HW)
__ - i2	Fixed spray Institutional Shower Head (Other Institutional Shower Heads Available)
__ - LS	Less Soap Dish
__ - TC	Matching Shroud Extension to Cover thru Ceiling Piping (Specify extension height)
__ - TH	Matching Shroud Cover for Concealed Horizontal Piping (Application drawings available for custom installations)
__ - 14	14 Gage Stainless Steel Shroud
__ - 16	16 Gage Stainless Steel Shroud

#### STANDARDS

Tested to meet the following standards for valves and plumbing fittings:  
Shower heads meet ASME A112.18.1/CSA B125.1



ZURN INDUSTRIES, LLC ♦ COMMERCIAL BRASS OPERATION ♦ 2640 SOUTH WORK STREET ♦ FALCONER NY 14733

Phone: 1-800-997-3876 ♦ Fax: 1-919-775-3541 ♦ www.zurn.com

In Canada: ZURN INDUSTRIES LIMITED ♦ 3544 Nashua Drive ♦ Mississauga, Ontario L4V1L2 ♦ Phone: 905/405-8272 Fax: 905/405-1292

Rev. D Date: 11/10/10 C.N. No. 127093  
Dwg. No. 66254 Product No. Z7500-DV-HW