

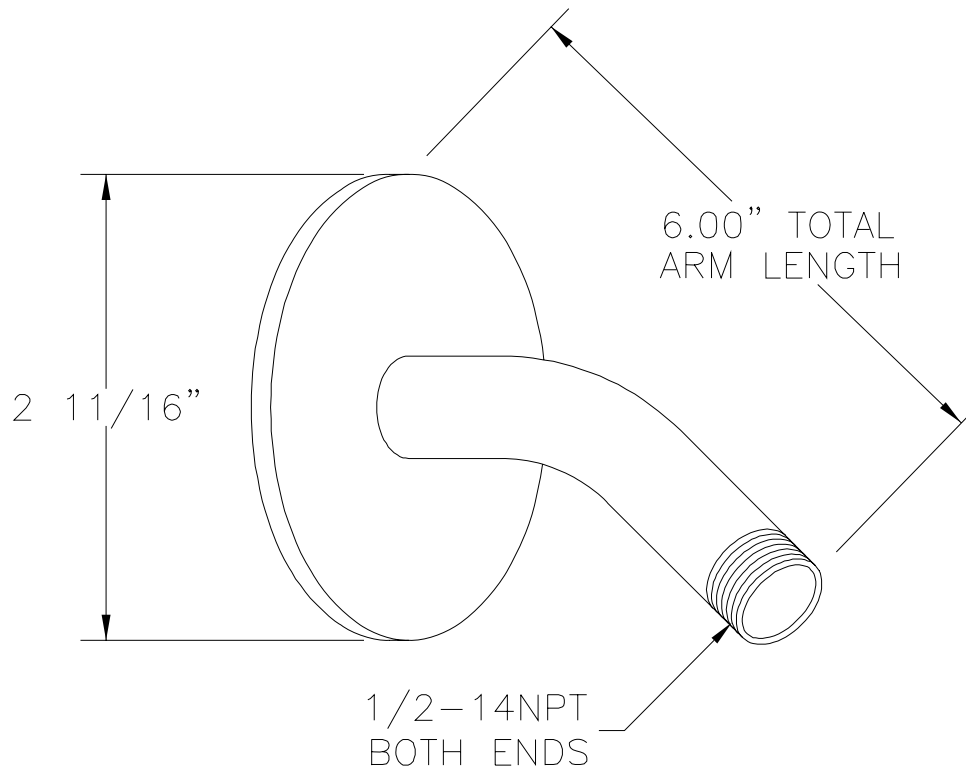


# TEMP-GARD STANDARD SHOWER ARM AND WALL FLANGE

Z7000-A2

TAG \_\_\_\_\_

**ENGINEERING SPECIFICATIONS: Z7000-A2** - Brass shower arm with polished nickel chrome plated surface. Flange is die-cast zinc with polished nickel chrome plating.



Note: All dimensions are for reference only. Do not use for pre-plumbing

## OPTIONS (Check/specify appropriate options)

### Suffix Description

No Options

ZURN INDUSTRIES, LLC ♦ COMMERCIAL BRASS OPERATION ♦ 2640 SOUTH WORK STREET ♦ FALCONER NY 14733

Phone: 1-716-665-1132 ♦ Fax: 1-716-665-1135 ♦ World Wide Web: [www.zurn.com](http://www.zurn.com)

In Canada: ZURN INDUSTRIES LIMITED ♦ 3544 Nashua Drive ♦ Mississauga, Ontario L4V1L2 ♦ Phone: 905/405-8272 Fax: 905/405-1292