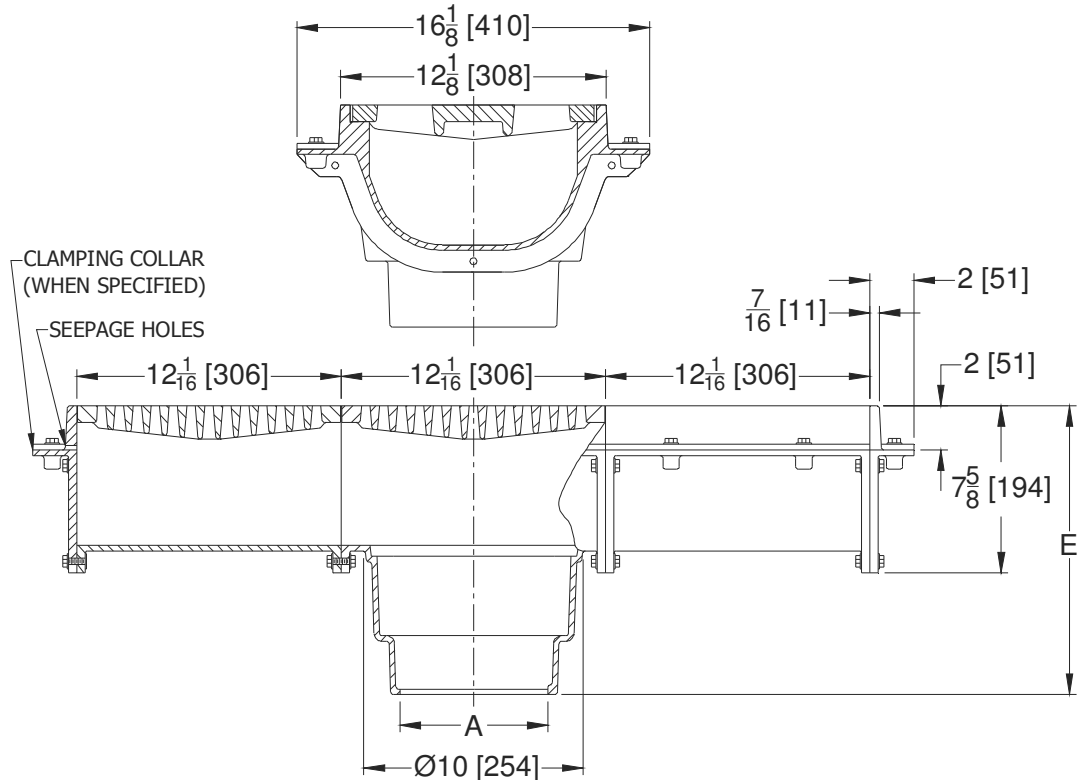


**Z665****12[305] WIDE MODULAR TRENCH DRAIN, HEAVY-DUTY****SPECIFICATION SHEET**

TAG \_\_\_\_\_

Dimensional Data (inches and [ mm ]) are Subject to Manufacturing Tolerances and Change Without Notice



A Pipe Size in [mm]	Approx Wt. lbs [kg]	Grate Open Area in <sup>2</sup> [cm <sup>2</sup> ]
2,3,4 [51,76,102]	100 [45]	35 [226]
5,6 [127,152]	110 [50]	

**ENGINEERING SPECIFICATION ZURN Z665**

12" [305mm] Wide top modular trench drain, Dura-Coated cast iron deep sump body with bottom outlet. Both 12" [305mm] long outlet module and extension grate are complete with integral seepage pan and heavy-duty loose slotted grate.

**OPTIONS** (Check/specify appropriate options)**PIPE SIZE**

2,3,4,5,6 [51,76,102,127,152]

2,3,4, 6 [51,76,102, 152]

2,3,4 [51,76,102]

(Specify size/type) **OUTLET**

\_\_\_ IC Inside Caulk  
 \_\_\_ IG Inside Gasket  
 \_\_\_ NL Neo-Loc

**'E' BODY HT. DIM.**

13-3/16 [335]

13-3/16 [335]

12-1/2 [318]

**PREFIXES**

\_\_\_ Z D.C.C.I. Body and Top\*  
 \_\_\_ ZB D.C.C.I Body w/Polished Bronze Top (Add 1/8 [3] to 'E' and 2 [51] Dim.)  
 \_\_\_ ZS D.C.C.I Body w/Polished Stainless Steel Top (Add 1/8 [3] to 'E' and 2 [51] Dim.)

**SUFFIXES**

___ -AR	Acid Resisting Epoxy Coated Cast Iron (Per Section)	___ -M	Side Outlet Adapter Via End Plate
___ -C	Clamp Collar (Per Section)	___ -SB	Shallow Body (Bucket not Available)
___ -DB	Bottom Dome Strainer (Per Outlet Section)	___ -SQ	Square Slotted Medium-Duty Grate
___ -DG	Duresist Grate (Per Section)	___ -TC	Neo-Loc Test Cap Gasket
___ -ES	12 [305] Extension Section (Specify Number of Sections Required)	___ -VP	Vandal-Proof Secured Top (Per Section)
___ -G	Galvanized Cast Iron (Per Section)	___ -Y	Sediment Bucket (Per Outlet Section)

\* Regularly furnished unless otherwise specified.

Zurn Industries, LLC | Specification Drainage Operation  
 1801 Pittsburgh Avenue, Erie, PA 16502, Ph. 855-663-9876, Fax 814-454-7929

In Canada | Zurn Industries Limited  
 7900 Goreway Drive, Unit 10, Brampton, Ontario L6T 5W6, Ph. 877-892-5216

[www.zurn.com](http://www.zurn.com)

Rev. J  
 Date: 10/16/2019  
 C.N. No. 141246  
 Prod. | Dwg. No. Z665