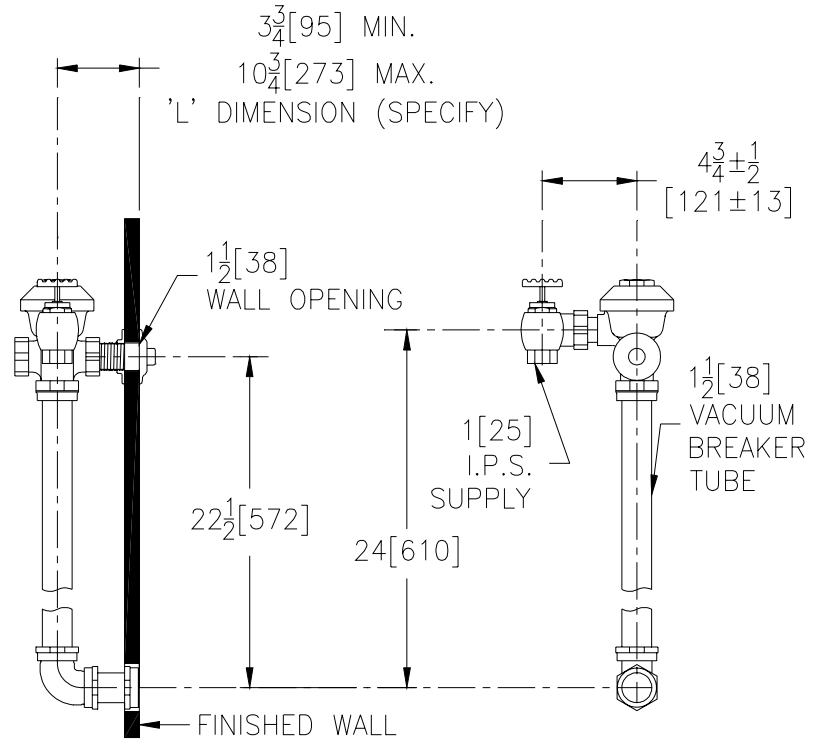




Concealed Z6611AV Model For Penal Water Closet Fixtures



Flow Options

- | | |
|---|--------------------------------|
| <input type="checkbox"/> -WS1 | 1.6 Gal. Low Consumption Flush |
| <input type="checkbox"/> -FF | 4.5 Gal. Full Flush |
| <input type="checkbox"/> Standard Flush | 3.5 Gallons Per Flush |

Suffix Options (Check/Specify Appropriate Options)

_____ Other

ENGINEERING SPECIFICATION: ZURN Z6611AV AquaVantage® 'AV' Concealed Closet Flush Valve - Concealed, quiet diaphragm-type, rough brass flushometer valve with Zurn's AquaVantage® TPE, chloramine resistant, dual seal diaphragm with a clog resistant, triple filtered by-pass. The valve incorporates a non-hold-open, no leak push button with a 1"[25] metal push button, high back pressure vacuum breaker, one piece hex coupling nut, adjustable tailpiece and spud coupling for back spud connection. Control stop has internal siphon-guard protection and sweat solder kit. Internal seals are made of chloramine resistant materials.

This space is for Architectural/engineering Approval

ZURN INDUSTRIES, INC. ♦ COMMERCIAL BRASS OPERATION ♦ 5900 ELWIN BUCHANAN DRIVE ♦ SANFORD NC 27330

Phone: 1-800-997-3876 ♦ Fax: 919-775-3541 ♦ World Wide Web: www.zurn.com

In Canada: ZURN INDUSTRIES LIMITED ♦ 3544 Nashua Drive ♦ Mississauga, Ontario L4V1L2 ♦ Phone: 905-405-8272 Fax: 905-405-1292