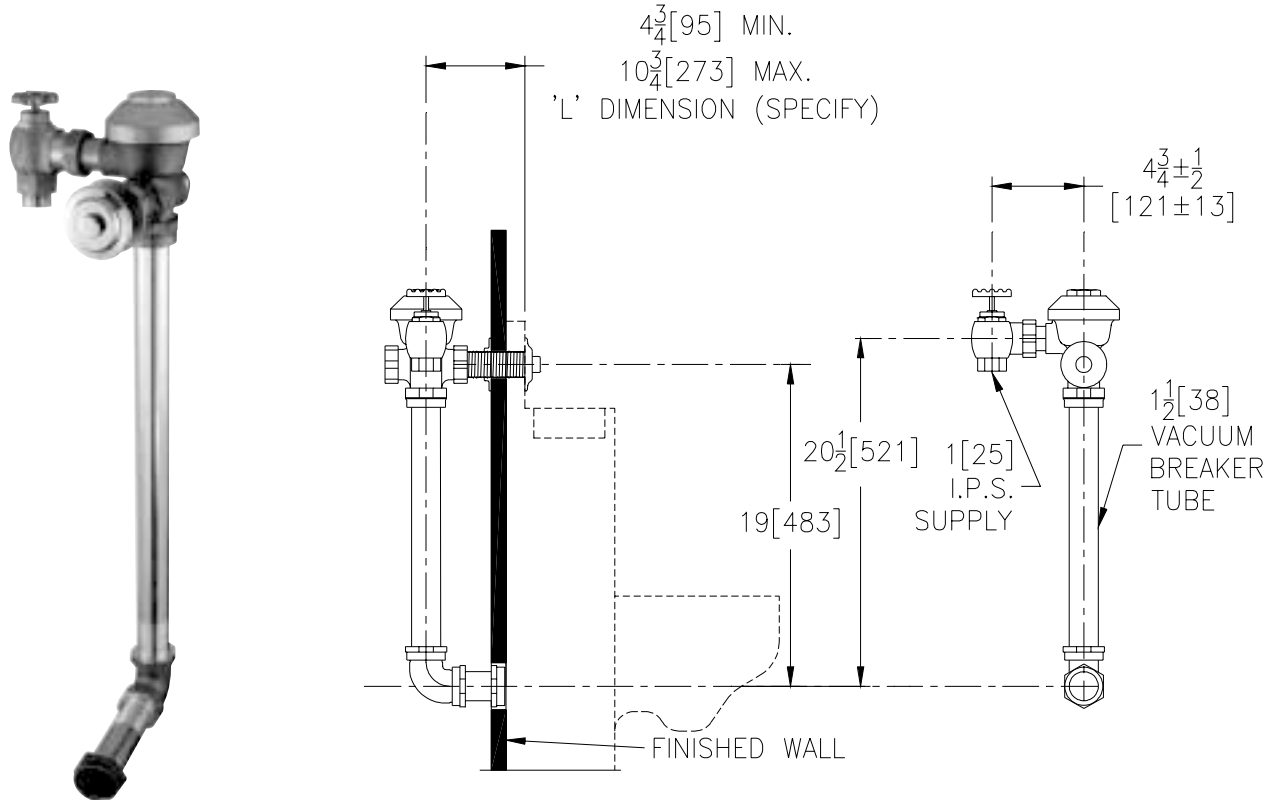




## Concealed Z6601AV Model for Combination Lavatory/Closet Penal Fixtures



### Flow Options

- |   |                          |
|---|--------------------------|
| <input type="checkbox"/> -WS1           | 1.6 Gal. Low Consumption |
| <input type="checkbox"/> -FF            | 4.5 Gal. Full Flush      |
| <input type="checkbox"/> Standard Flush | 3.5 Gallons Per Flush    |

### Suffix Options (Check/Specify Appropriate Options)

\_\_\_\_\_ Other

**ENGINEERING SPECIFICATION: ZURN Z6601AV AquaVantage® 'AV' Concealed Penal Valve-** Concealed, quiet diaphragm-type, rough brass flushometer valve with Zurn's AquaVantage® TPE, chloramine resistant, dual seal diaphragm with a clog resistant, triple filtered by-pass. The valve incorporates a non-hold-open, no leak push button with a 1"[25] metal push button, high back pressure vacuum breaker, one piece hex coupling nut, adjustable tailpiece and spud coupling for back spud connection. Control stop has internal siphon-guard protection and sweat solder kit. Internal seals are made of chloramine resistant materials.

This space is for Architectural/engineering Approval