

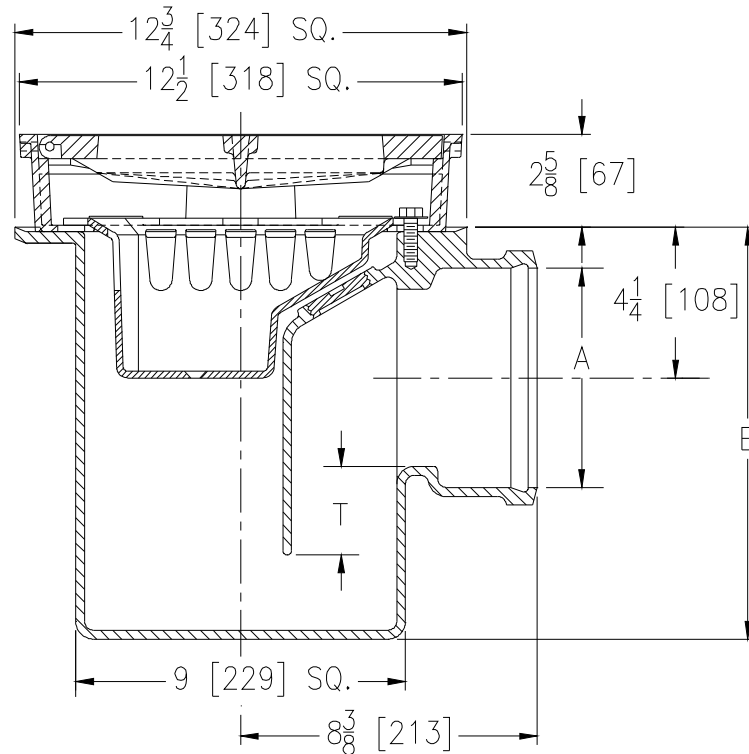


Z645
 12-1/2 x 12-1/2 [318 X 318]
 HEAVY-DUTY DRAIN

SPECIFICATION SHEET

TAG _____

Dimensional Data (inches and [mm]) are Subject to Manufacturing Tolerances and Change Without Notice



Dimensions In Inches[mm]		Approx. Wt. Lbs. [kg]	Grate Open Area Sq. In. [cm ²]
A - Pipe Size	T		
3 [76]	3-1/2 [89]	112 [51]	44 [284]
4 [102]	3 [76]		

ENGINEERING SPECIFICATION: Zurn Z645

12-1/2" [318mm] Square top drain, Dura-Coated cast iron body with side outlet, internal trap with bronze cleanout plug, seepage pan and combination membrane flashing clamp and frame for cast iron hinged heavy-duty slotted grate with suspended aluminum sediment bucket.

OPTIONS (Check/specify appropriate options)

PIPE SIZE
 3, 4 [76, 102]

(Specify size) **OUTLET**
 _____ IC Inside Caulk

'E' BODY HT. DIM
 11-5/8 [295]

PREFIXES

- ___ Z D.C.C.I. Body and Top*
- ___ ZB D.C.C.I Body w/Polished Bronze Top (Add 3/16 [5] to 2-5/8 [67] and 3/4 [20] to 12-1/2 [318] Dim.)
- ___ ZN D.C.C.I Body w/Polished Nickel Bronze Top (Add 3/16 [5] to 2-5/8 [67] and 3/4 [20] to 12-1/2 [318] Dim.)

SUFFIXES

- ___ -AR Acid Resistant Epoxy Coated Cast Iron
- ___ -G Galvanized Cast Iron
- ___ -P Trap Primer Connection
 (Specify 1/2 [13] or 3/4 [19])
- ___ -VP Vandal-Proof Secured Top

* Regularly furnished unless otherwise specified.