

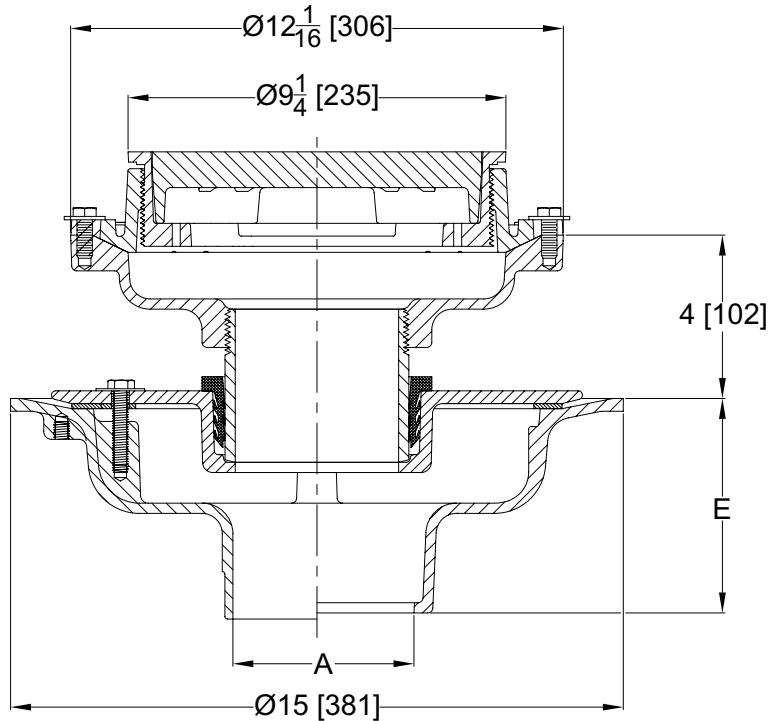


Z627
HEAVY-DUTY ADJUSTABLE ISOLATION DECK DRAIN

SPECIFICATION SHEET

TAG _____

Design and Dimensional Data (inches and [mm]) are Subject to Manufacturing Tolerances and Change Without Notice



| 'A' Pipe Size In. [mm] | Approx. Wt. Lbs. [kg] | Grate Open Area In ² . [cm ²] |
|---------------------------|--------------------------|---|
| 2, 3, 4 [51, 76, 102] | 94 [43] | 33 [213] |
| 6 [152] | 94 [43] | |

ENGINEERING SPECIFICATION: ZURN Z627

Adjustable isolation deck drain, Dura-Coated cast iron upper and lower bodies, clamp collar, neoprene flex gasket, isolation nipple and heavy-duty grate.

OPTIONS (Check/specify appropriate options)

PIPE SIZE

2, 3, 4, 6 [51, 76, 102, 152]
2, 3, 4 [51, 76, 102]

(Specify size/type) **OUTLET**

___ NH No-Hub
___ NL Neo-Loc

'E' BODY HT. DIM.

5-1/4 [133]
4-5/8 [117]

PREFIXES

___ Z D.C.C.I. Body and Top*
___ ZN D.C.C.I Body w/Polished Nickel Bronze Top (Add 13/16 [21] to 9-1/4 [235] Dim. & 3/16 [5] to 2 [51] to 3-1/2 [89] Dim.)

SUFFIXES

___ -C Underdeck Clamp (Lower Body)
___ -DG Duresist Grate
___ -G Galvanized Cast Iron
___ -R Sump Receiver (Lower Body)
___ -TS Top Secured with Slotted Screws
___ -VP Vandal-Proof Secured Top
___ -Y Sediment Bucket

* Regularly furnished unless otherwise specified

⚠ WARNING: Cancer and Reproductive Harm - www.P65Warnings.ca.gov

⚠ ADVERTENCIA: Cáncer y daño reproductivo - www.P65Warnings.ca.gov

⚠ AVERTISSEMENT: Cancer et effets néfastes sur la reproduction - www.P65Warnings.ca.gov

Zurn Industries, LLC | Specification Drainage Operation
1801 Pittsburgh Avenue, Erie, PA 16502, Ph. 855.663.9876

In Canada | Zurn Industries Limited
7900 Goreway Drive, Unit 10, Brampton, Ontario L6T 5W6, Ph. 877.892.5216

www.zurn.com

Rev. K
Date: 06/30/2021
C.N. No. 143873
Prod. | Dwg. No. Z627