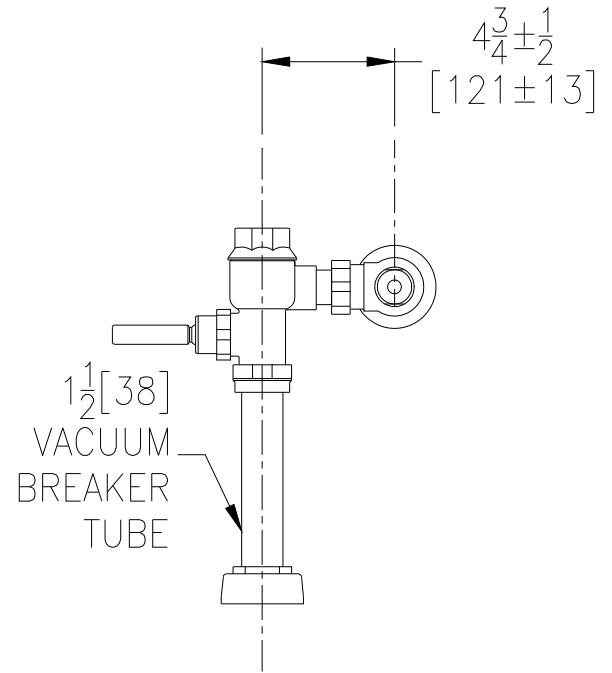
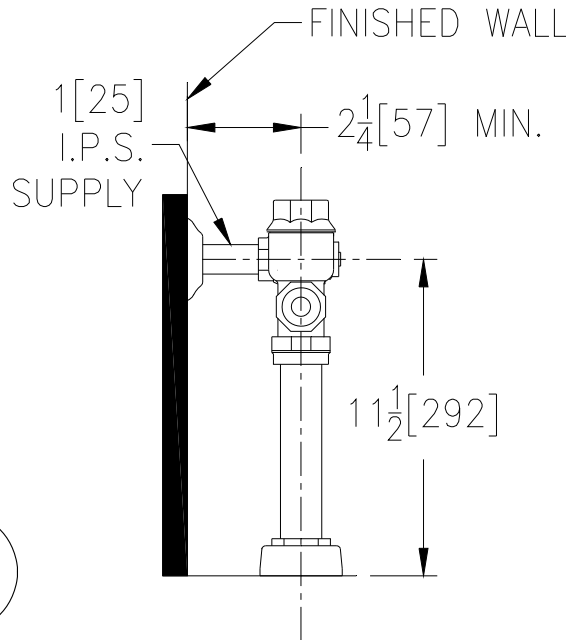




Metroflush™

TAG _____

Exposed Z6200 Model Metroflush Piston Operated Flush Valve For Water Closets



Flow Options

- WS1 1.6 Gal. Low Consumption Flush
- Standard Flush 3.5 Gallons Per Flush

Suffix Options (Check/Specify Appropriate Options)

- _____ -DF Dual Flush
- _____ -L 1" [25] Metal Push Button
- _____ -L3 3" [76] Metal Push Button
- _____ -VC Vandal Resistant Stop Cover
- _____ -XYV Less Vacuum Breaker
- _____ -YB Sweat Solder Kit
- _____ -YC Cast Wall Flange
- _____ -YH One Wall Bumper
- _____ -YJ Split Ring Pipe Support
- _____ -YK Solid Ring Pipe Support
- _____ -YL Solid Ring Pipe Support with Bumper
- _____ -YO Bumper On Angle Stop
- _____ Other

ENGINEERING SPECIFICATION: ZURN Z6200 Metroflush Piston Operated Exposed Closet Flush Valve- The Metroflush is an exposed, quiet type, chrome plated flushometer valve with polished exterior. Complete with Zurn MetroVantage chloramine resistant piston with a clog resistant filtered by-pass. The valve is ADA compliant with a non-hold open and no-leak handle feature, high back pressure vacuum breaker, one piece hex coupling nut, adjustable tailpiece, spud coupling and flange for top spud connection. Control stop has internal siphon-guard protection. Internal seals are made of chloramine resistant materials.

This space is for Architectural/engineering Approval

ZURN INDUSTRIES, LLC. ♦ COMMERCIAL BRASS OPERATION ♦ 5900 ELWIN BUCHANAN DRIVE ♦ SANFORD NC 27330

Phone: 1-800-997-3876 ♦ Fax: 919-775-3541 ♦ World Wide Web: www.zurn.com

In Canada: ZURN INDUSTRIES LIMITED ♦ 3544 Nashua Drive ♦ Mississauga, Ontario L4V1L2 ♦ Phone: 905-405-8272 Fax: 905-405-1292