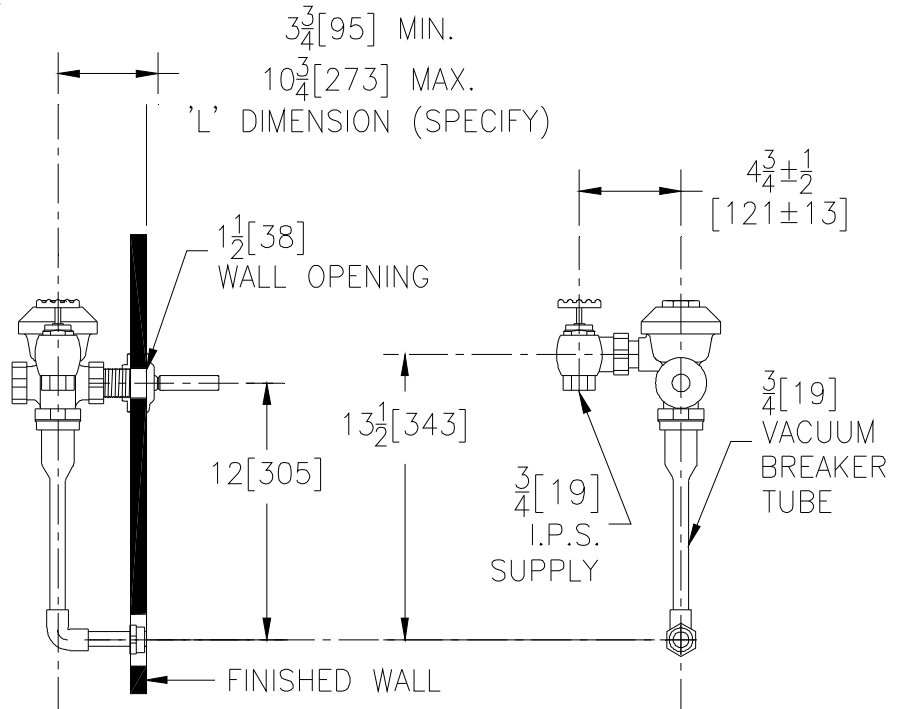


# Z6195

for 3/4" Urinals



## Flow Options

- ULF 0.125 gpf Ultra Low Flow
- EWS 0.5 gpf High Efficiency Flush
- WS1 1.0 gpf Low Consumption
- 1.5 gpf

## Accessories

- BG BioCare ADA Handle
- L 1" [25] Metal Push Button
- L3 3" [76] Metal Push Button
- YB Sweat Solder Adaptor
- \_\_\_\_\_ Other

Architectural/Engineering Approval

The information contained in this document is subject to change without notice.  
Please contact Zurn for most up to date information.

ZURN INDUSTRIES, LLC. ♦ COMMERCIAL BRASS OPERATION  
5900 ELWIN BUCHANAN DRIVE ♦ SANFORD NC 27330  
PHONE: 1-800-997-3876 ♦ FAX: 919-775-3541  
WWW.ZURN.COM  
IN CANADA: ZURN INDUSTRIES LIMITED  
3544 NASHUA DRIVE ♦ MISSISSAUGA, ONTARIO L4V1L2  
PHONE: 905-405-8272 FAX: 905-405-1292

## ENGINEERING SPECIFICATIONS

Concealed, quiet diaphragm-type, rough brass flushometer valve.

- Zurn's AquaFlush® TPE diaphragm
  - Linear filtered by-pass
  - Chloramine resistant
  - Dual seal
- Actuator
  - ADA compliant handle
  - Non-hold open and no leak feature
- Control Stop
  - Internal siphon-guard protection
- Vacuum Breaker
  - High back pressure
  - One piece hex coupling nut
- Internal seals
  - Chloramine resistant
- Adjustable tailpiece
- Spud coupling and flange for back spud connection