



Z5840

20" x 18" Wall Hung Enameled Cast Iron Lavatory

TAG _____

Architectural/Engineering Specification:

20" x 18" enameled cast iron wall hung lavatory with various faucet holes setup.

Product Features:

- 20" [508 mm] x 18" [45 mm]
- Enameled cast iron
- Faucet holes for 4" or 8" centers
- Wall hung lavatory provided with wall hanger and mounting lugs for use with exposed arm carrier systems.
- Front Overflow
- Waste: 1-1/4" O.D.
- Depth: 6-1/2"
- Shipping Weight: 60lbs.

Recommended Trim:

- Z8743-PC Grid Strainer
- Z8700 Series P-Trap
- Z8800 Series Top with Flexible Supplies
- Z8946-1-NT ADA Trap, Stop, and Supply Protectors

Optional Trim:

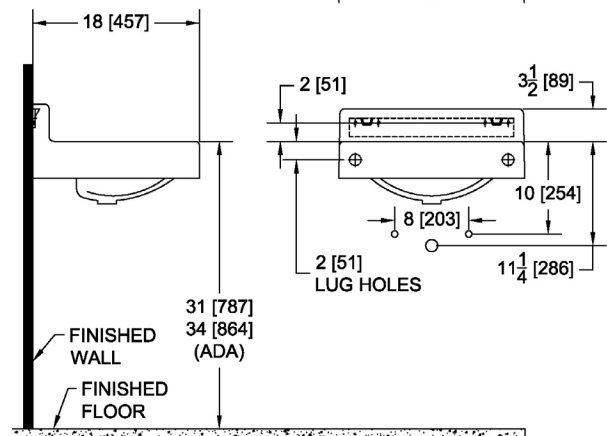
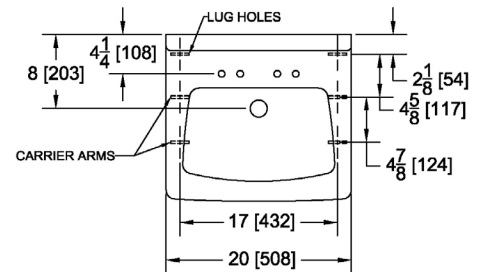
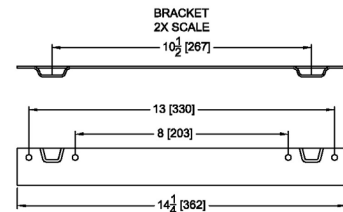
- Z8746-PC ADA Grid Strainer
- Z8946-3-NT ADA Trap, Stop, and Supply Protectors for Offset Grid Strainer

Configurations:

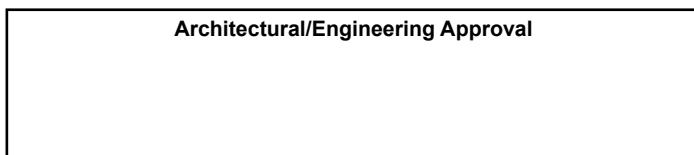
- Z5841 Lavatory with single faucet hole
- Z5844 Lavatory with 4" center faucet holes
- Z5848 Lavatory with 8" center faucet holes

Compliance and Certification:

- ADA Compliant



See Zurn One Systems for suggested packages.



The information contained in this document is subject to change without notice. Please contact Zurn for most up to date information.

Rough-in/Overview dimensions for Z5840 Series
 Z5841 Lavatory with single hole faucet
 Z5844 Lavatory with 4" center faucet holes
 Z5848 Lavatory with 8" center faucet holes

Note: For exposed arm carrier installation, see Zurn Z1231-AL Rough-in sheet from Carrier Code Book.

Meets the American Disabilities Guidelines and ANSI A117.1 requirements when installed 34"[864mm] from finished floor. Fixture dimensions meet ASME A112.19.1/CSA B45.2 requirements. In Canada - Consult local codes and standards.