



# Z5665.396.00.00.00

1.1 gpf Elongated Floor Bowl  
EcoVantage® Flush Valve Toilet System

TAG \_\_\_\_\_



## Z5665 Series Elongated

### Recommended Trim:

- Z5955SS-EL** Elongated, standard white, open front toilet seat less cover with stainless steel check hinge.
- Z5972-COMB** Closet bolt/wax ring kit

*Note: To ensure system performance:  
Minimum Running Water Pressure = 25 psi*



This product should be used with a WaterSense labeled counterpart with a compatible flush volume to ensure that the entire system meets the requirements for water efficiency and performance.

*These dimensions and specifications are subject to change without notice.  
Fixture dimensions meet ANSI/ASME standard A112.19.2 and CAN/CSA B45 requirements.  
Meets the American Disabilities Guidelines and ANSI A117.1 requirements when installed per code.*



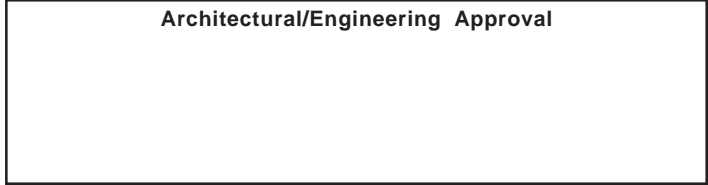
## Z5665 HET Series

- Zurn One HET Toilet System designed for optimal performance between Zurn fixture and Zurn flush valve to save water.
- 1.1 gpf (gallons per flush)
- 14% water savings over standard 1.28 gpf system
- 31% water savings over standard 1.6 gpf system
- Vitreous china
- Elongated front rim
- 2-1/8" fully glazed trapway
- High efficiency siphon jet flush action
- Zurn product system component compatibility and quality assurance
- Long life battery powered, 4 "AA" with a 10 year battery life.
- Shipping Weight: 57 lbs.

## Engineering Specification

**Z5665-BWL1, EcoVantage High Efficiency Toilet System** - System comes complete with exposed ZTR6200-ONE-LL high efficiency flushometer valve and vitreous china floor bowl toilet. The system is designed to perform to industry standards with as little as 1.1 gallons per flush. Valve is operated by an infrared convergence-type proximity sensor with smart technology, powered by 4 "AA" long life batteries, furnished with a vandal resistant chrome plated cast brass valve body, chloramine resistant internal seals, manual over ride button and reversible cover. Complete with high pressure vacuum breaker, one piece hex coupling nut, adjustable tailpiece, spud coupling and flange for top spud connection. Control stop has internal siphon-guard protection, vandal resistant stop cap, sweat solder kit and a cast wall flange with set screw. Vitreous china toilet is 1-1/2" top spud with 2-1/8" fully glazed trapway and siphon jet action. Valve and toilet are an engineered system designed to provide optimal performance and 31% water savings over 1.6 gpf conventional toilets.

See Zurn One Systems for suggested packages.



**ZURN INDUSTRIES, LLC. ♦ COMMERCIAL BRASS OPERATION ♦ 5900 ELWIN BUCHANAN DRIVE ♦ SANFORD NC 27330**

Phone: 1-800-997-3876 ♦ Fax: 919-775-3541 ♦ World Wide Web: [www.zurn.com](http://www.zurn.com)

In Canada: **ZURN INDUSTRIES LIMITED ♦ 7900 Goreway Drive Unit 10 ♦ Brampton, Ontario L6T5W6 ♦ Phone: 905-405-8272 Fax: 905-405-1292**

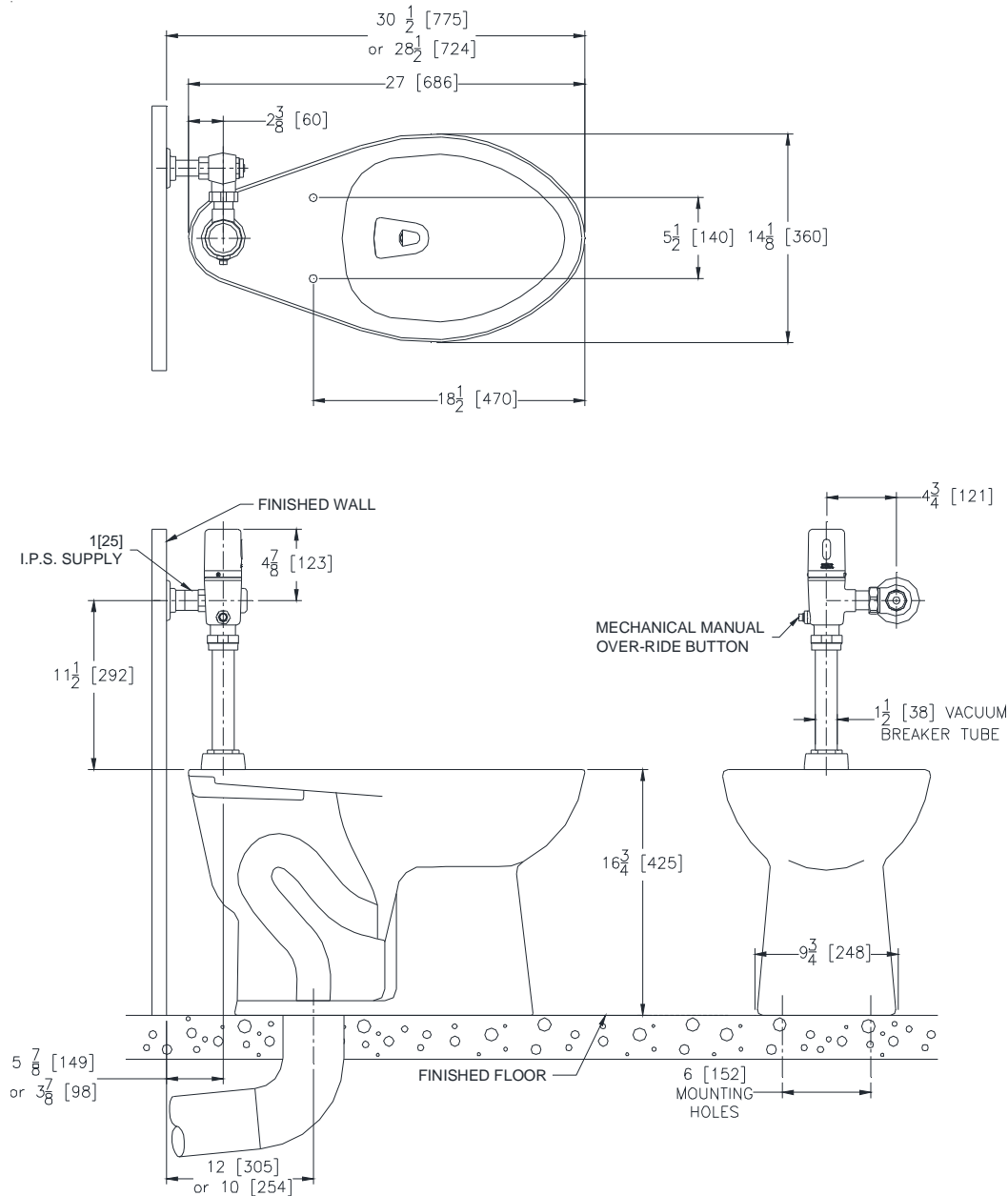


# Z5665.396.00.00.00

1.1 gpf Elongated Floor Bowl  
EcoVantage® Flush Valve Toilet System

TAG \_\_\_\_\_

## Rough-in dimensions for Z5665 Series



These dimensions and specifications are subject to change without notice.  
 Fixture dimensions meet ANSI/ASME standard A112.19.2 and CAN/CSA B45 requirements.  
 Meets the American Disabilities Guidelines and ANSI A117.1 requirements when installed per code.



**Note:** For ADA compliance, rim height should be installed 17" from finished floor.

ZURN INDUSTRIES, LLC. ♦ COMMERCIAL BRASS OPERATION ♦ 5900 ELWIN BUCHANAN DRIVE ♦ SANFORD NC 27330

Phone: 1-800-997-3876 ♦ Fax: 919-775-3541 ♦ World Wide Web: www.zurn.com

In Canada: ZURN INDUSTRIES LIMITED ♦ 7900 Goreway Drive Unit 10 ♦ Brampton, Ontario L6T5W6 ♦ Phone: 905-405-8272 Fax: 905-405-1292