



# Z5570

1.6 gpf Pressure Assist, Elongated,  
Two-Piece Toilet

TAG \_\_\_\_\_

### Architectural/Engineering Specification:

Zurn Z5570 Vitreous China floor mounted, Two Piece toilet, High Efficiency 1.6 gpf / 6.0 Lpf, Pressure Assisted tank, Elongated standard Height rim and 12" Rough-in.

Zurn Z5570 utilizes EcoFlush™ technology maximize water savings and provide an ultra-quiet flush in demanding, high-traffic commercial areas that require a high performance toilet system.

### Product Features:

- 1.6 gpf (gallons per flush)
- High Efficiency Toilet (HET) reduces potable water usage over 30%
- Vitreous china
- Pressure assisted tank
- High performance EcoFlush™ technology
- Easy touch handle actuation
- Ultra quiet flush
- Siphon jet flush action
- 2-1/8" fully glazed trapway
- Operating pressure range 20-80 psi
- Elongated front rim
- Chrome plated handle
- Large water surface area
- Includes bolt caps
- Shipping weight: 95 lbs

### Options:

- VL Vitreous China lid with vandal-proof lockdown

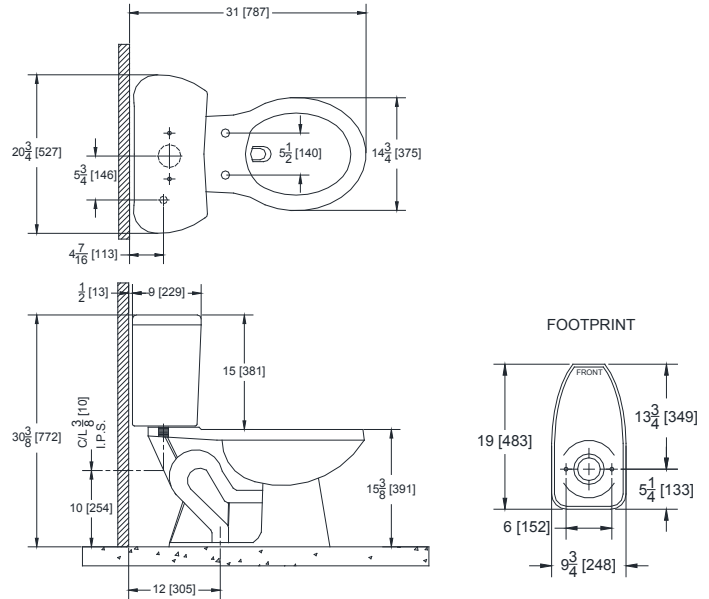
### Recommended Trim:

- Z5958SS-EL  
Elongated, white, closed front toilet seat with cover & stainless steel check hinge.
- Z5972-COMB  
Closet bolt/wax ring kit.
- Z8800-CR  
Standard stop with flexible closet riser.

### Optional Trim:

- Z5975-FLO-JR PVC Flo-Bowl Jr. closet flange kit

Note: HET 1.1 gpf pressure assist tank also available. See model Z5571.



Rough-in/Overview dimensions for Z5570 Series

See Zurn One Systems for suggested packages.

Architectural/Engineering Approval

The information contained in this document is subject to change without notice. Please contact Zurn for most up to date information.

Fixture dimensions meet ASME A112.19.2/CSA B45.1 requirements. In Canada - Consult local codes and standards.

