

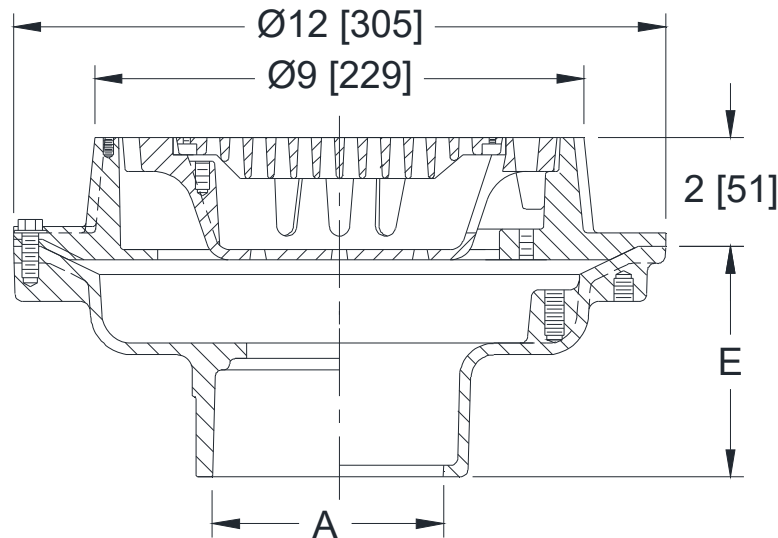
**Z554**

9 [229] MEDIUM-DUTY DRAIN WITH SUR-SET BUCKET

SPECIFICATION SHEET

TAG _____

Dimensional Data (inches and [mm]) are Subject to Manufacturing Tolerances and Change Without Notice



A - Pipe Size Inches [mm]	Approx. Wt. Lbs. [kg]	Grate Open Area Sq. In. [cm ²]
2, 3, 4 [51, 76, 102]	21 [10]	9 [58]

ENGINEERING SPECIFICATION: ZURN Z554

9" [229mm] Diameter top drain, Dura-Coated cast iron body with bottom outlet, seepage pan and combination membrane flashing clamp and frame and medium-duty cast iron grate with sur-set bucket.

OPTIONS (Check/specify appropriate options)**PIPE SIZE**(Specify size/type) **OUTLET****'E' BODY HT. DIM.**

4 [102]

___ IP Threaded

2-3/4 [70]

2, 3, 4 [51, 76, 102]

___ NH No-Hub

4-3/4 [121]

2, 3, 4 [51, 76, 102]

___ NL Neo-Loc

3-1/2 [89]

PREFIXES

___ Z D.C.C.I. Body and Top*

___ ZN D.C.C.I. Body with Polished Nickel Bronze Top (Add 3/16 [5] to 2 [51] Dim. & 3/4 [20] to 9 [229] Dim.)

SUFFIXES

___ -AR Acid Resisting Epoxy Coated Cast Iron

___ -G Galvanized Cast Iron

___ -P Trap Primer Connection

___ -TC Neo-Loc Test Cap Gasket
(2, 3, 4 [51, 76, 102] NL Bottom Outlet Only)

___ -TS Top Secured with Slotted Screws

___ -VP Vandal-Proof Secured Top

* Regularly furnished unless otherwise specified.

Zurn Industries, LLC | Specification Drainage Operation
1801 Pittsburgh Avenue, Erie, PA U.S.A. 16502 · Ph. 855-663-9876, Fax 814-454-7929

In Canada | Zurn Industries Limited
7900 Goreway Drive, Unit 10, Brampton, Ontario L6T 5W6 · Ph. 877-892-5216

www.zurn.com

Rev. F
Date: 10/05/2020
C.N. No. 143084
Prod. | Dwg. No. Z554