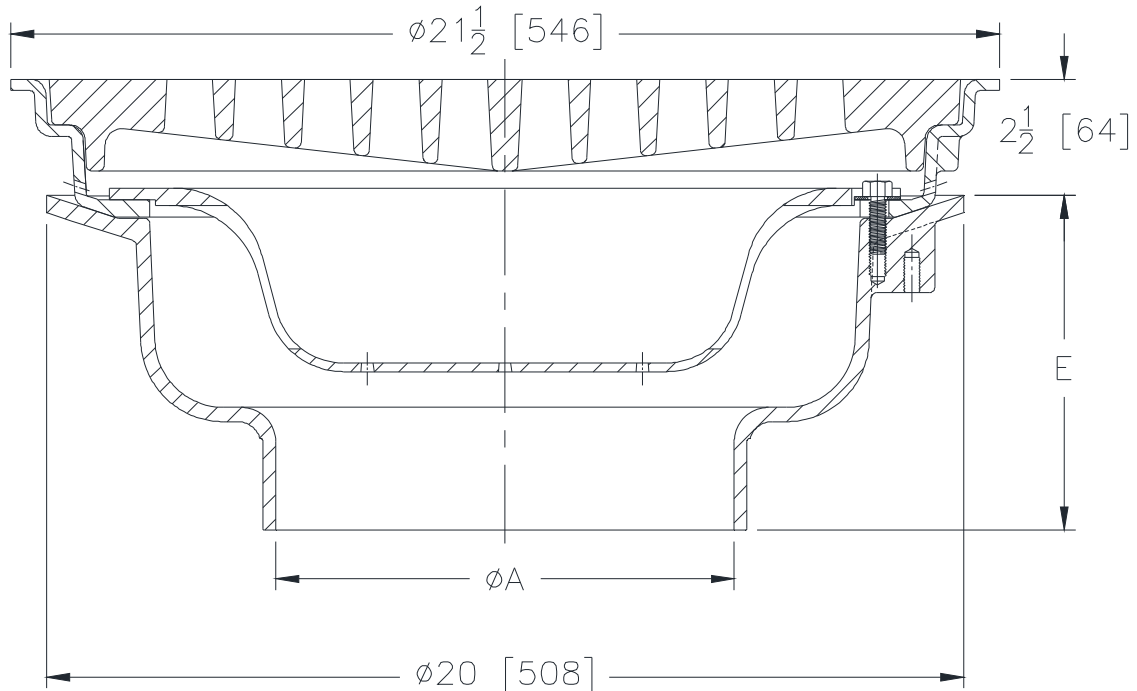


**Z546****21-1/2 [546] DIAMETER EXTRA-HEAVY-DUTY DRAIN**

SPECIFICATION SHEET

TAG _____

Dimensional Data (inches and [mm]) are Subject to Manufacturing Tolerances and Change Without Notice



A - Pipe Size In [mm]	Approx. Wt. Lbs. [kg]	Grate Open Area Sq. In. [cm ²]
8,10,12 [203,254,305]	163 [74]	110 [710]

ENGINEERING SPECIFICATION: ZURN Z546

21-1/2" [546mm] Diameter top drain, Dura-Coated cast iron body with bottom outlet, seepage pan and combination membrane flashing clamp and frame with seepage holes, extra-heavy-duty cast iron slotted grate with suspended sediment bucket.

OPTIONS (Check/specify appropriate options)**PIPE SIZE**

8,10,12 [203,254,305]

(Specify size/type) **OUTLET**

___ NH No-Hub

'E' BODY HT. DIM.

7-5/16 [186]

PREFIXES

___ Z D.C.C.I. Body and Top*

SUFFIXES

- ___ -F Extension Frame (Specify total height req'd.)
- ___ -G Galvanized Cast Iron
- ___ -TS Top Secured with Slotted Screws
- ___ -VP Vandal-Proof Secured Top

* Regularly furnished unless otherwise specified.

Zurn Industries, LLC | Specification Drainage Operation
 1801 Pittsburgh Avenue, Erie, PA U.S.A. 16502 · Ph. 855-663-9876, Fax 814-454-7929
 In Canada | **Zurn Industries Limited**
 3544 Nashua Drive, Mississauga, Ontario L4V 1L2 · Ph. 905-405-8272, Fax 905-405-1292
www.zurn.com

Rev. E
 Date: 09/26/2017
 C.N. No. 137914
 Prod. | Dwg. No. Z546