



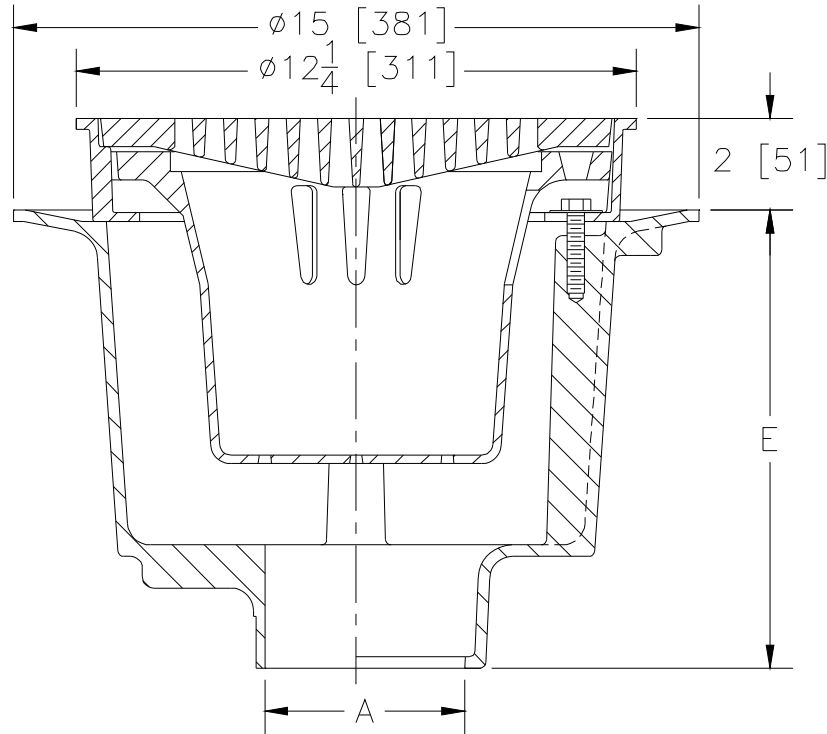
Z539

12-1/4 [311] HEAVY-DUTY DRAIN WITH DEEP SUMP

SPECIFICATION SHEET

TAG _____

Dimensional Data (inches and [mm]) are Subject to Manufacturing Tolerances and Change Without Notice



A- Pipe Size In [mm]	Approx. Wt. Lbs. [kg]	Grate Open Area Sq. In. [cm ²]
3,4,6 [76,102,152]	68 [31]	30 [194]
8 [203]		

ENGINEERING SPECIFICATION: ZURN Z539
 12-1/4" [311 mm] Diameter top drain, Dura-Coated cast iron deep sump body with bottom outlet, seepage pan and combination membrane flashing clamp and frame for sediment bucket and heavy-duty slotted grate.

OPTIONS (Check/specify appropriate options)

PIPE SIZE

3,4,6,8 [76,102,152,203]
 3,4 [76,102]

(Specify size/type) **OUTLET**

___ NH No-Hub
 ___ NL Neo-Loc

'E' BODY HT. DIM.

10 [254]
 9-5/16 [237]

PREFIXES

___ Z D.C.C.I. Body and Top*
 ___ ZN D.C.C.I. Body with Polished Nickel Bronze Top (Add 3/16 [5] to 2 [51] Dim. and 3/4 [20] to 12-1/4 [311] Dim.)

SUFFIXES

___ -G Galvanized Cast Iron
 ___ -HP Heel-Proof Grate
 ___ -SS Stainless Steel Mesh Liner for Bucket
 ___ -T Square Top
 ___ -TC Neo-Loc Test Cap Gasket (3,4 [76,102] NL Outlets only)
 ___ -TS Top Secured with Slotted Screws
 ___ -VP Vandal-Proof Secured Top
 ___ -YF Free Standing Bucket

* Regularly furnished unless otherwise specified.